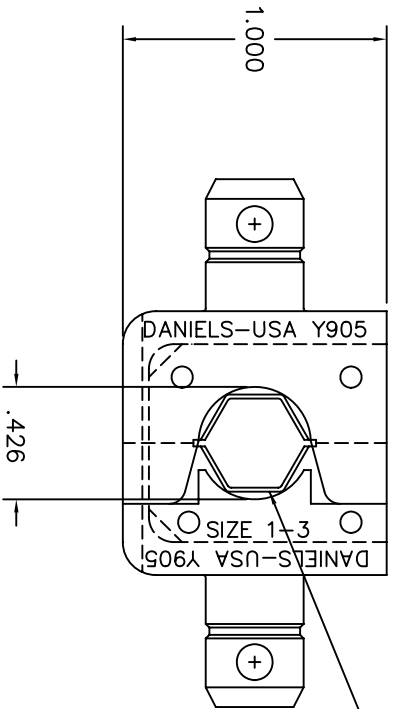
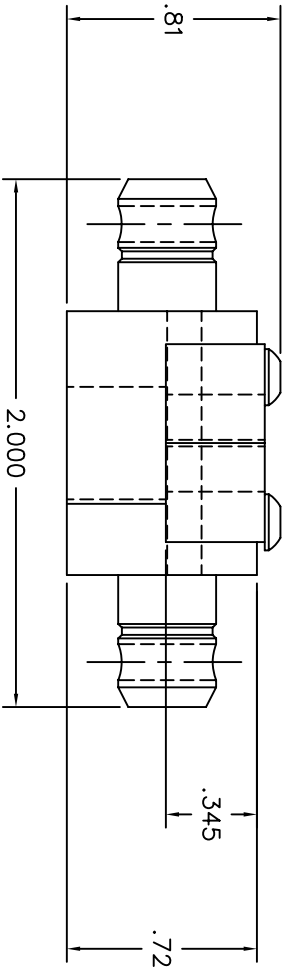


REVISIONS				
REV. SYM.	E.C.O. NUMBER	DESCRIPTION	BY DATE	APP'D DATE
1		ORIGINAL RELEASE	2-10-95	DE 2-95



**UNCONTROLLED DOCUMENT  
WILL NOT BE UPDATED**

1. FUNCTIONAL EQUIV. TO AMP 543424-6 DIE FOR SIZE 1-3.  
747579-1 FERRULE.

NOTES:

RESTRICTED & CONFIDENTIAL CONFERENTIAL PROPERTY OF DANIELS MANUFACTURING CORP. NOT TO BE DISCLOSED TO OTHERS, REPRODUCED OR USED FOR ANY OTHER PURPOSE, EXCEPT AS AUTHORIZED IN WRITING BY DANIELS MANUFACTURING. MUST BE RETURNED TO DANIELS MANUFACTURING CORP. IN CONNECTION OF ORDER WHICH ENT.		MATERIAL		FINISH	
		HEAT TREAT			
ITEM	PART NO.	QTY.	DESCRIPTION/REMARKS		
DRW. E. DIAZ	DATE 2-10-95		<b>DMS</b> DANIELS MANUFACTURING CORP. ORLANDO, FLORIDA CAGE 11851		
CHK'D. DE	DATE 2-95				
APP'D.	DATE		TITLE		
APP'D.	DATE		DIE SET ENVELOPE DRAWING		
NOTE: THIS DRAWING IS AN OUTLINE DRAWING OF THE RESPECTIVE DIM PART NUMBER INDICATED. ACTUAL DIM PART NUMBER IS DRAWING THE -ENV SUFFIX.					
WHERE USED:			CAD P/N	SHEET	OF
B 2X POSTING			Y905-ENV	1	1
			NO. Y905-ENV	REV.	1

DO NOT SCALE DRAWING