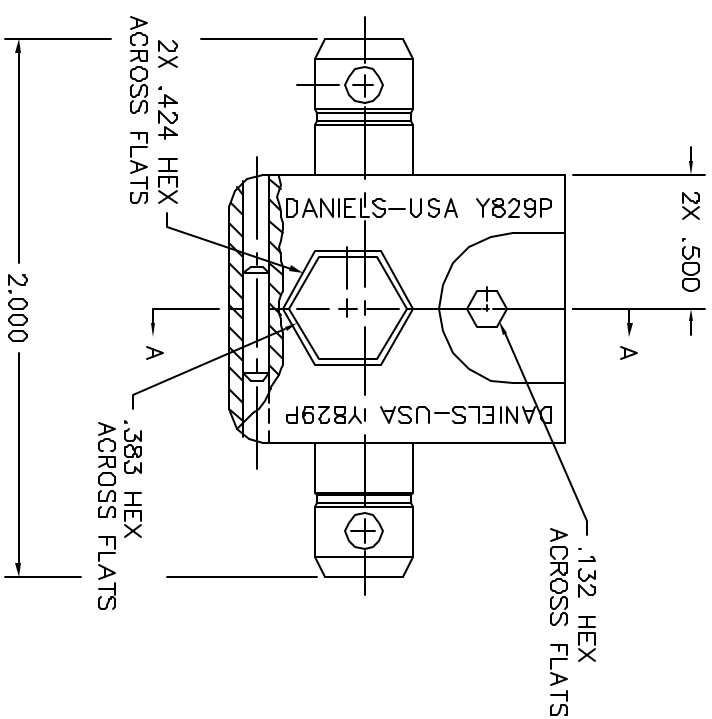


REVISIONS				
REV. NUMBER	E.C.O. NUMBER	DESCRIPTION	BY DATE	APP'D DATE
1		ORIGINAL RELEASE	LS STRAITON 7-11-91	DE 7-91



**UNCONTROLLED DOCUMENT  
WILL NOT BE UPDATED**

<b>RESTRICTED &amp; CONFIDENTIAL</b>		CONSEQUENTIAL PROPERTY OF DANIELS MANUFACTURING CORP. THIS DRAWING IS NOT TO BE REPRODUCED OR USED FOR ANY OTHER PURPOSE EXCEPT AS AUTHORIZED IN WRITING BY DANIELS MANUFACTURING CORP. ON COMPLETION OF ORDER FOR OTHER PURPOSE FOR WHICH LENT.	
MATERIAL	HEAT TREAT	FINISH	DO NOT SCALE DRAWING
ITEM	PART NO.	QTY.	DESCRIPTION/REMARKS
DRN. J STRAITON	DATE 7-11-91		<p>DIE SET ENVELOPE DRAWING</p>
CHK'D. DE	DATE 7-9-91		
APP'D.	DATE		
NOTE: THIS DRAWING IS AN OUTLINE DRAWING OF THE RESPECTIVE INDICATED PART NUMBER AND PART NUMBER IS DRAWING NUMBER WITHOUT THE "-ENV" SUFFIX.			
WHERE USED:		CAD P/N	SHEET OF
SIZE B		Y829P-ENV	1 1
SCALE NTS		DWG. NO.	REV. 1
POSTING		Y829P-ENV	