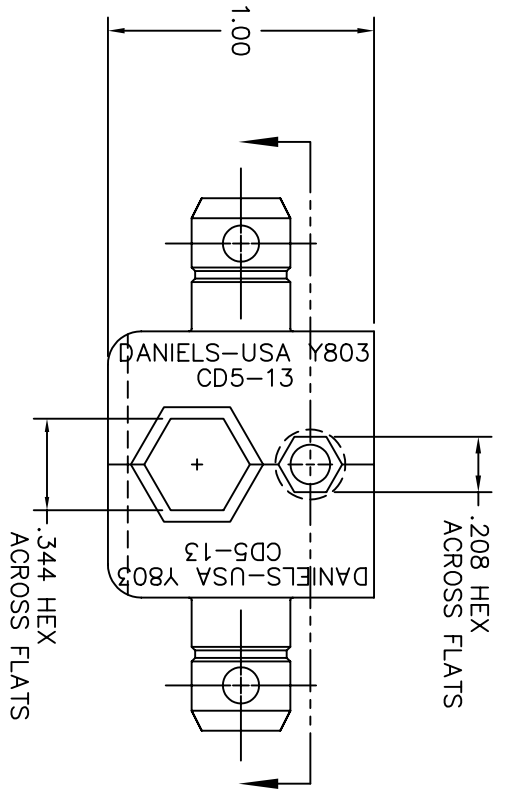
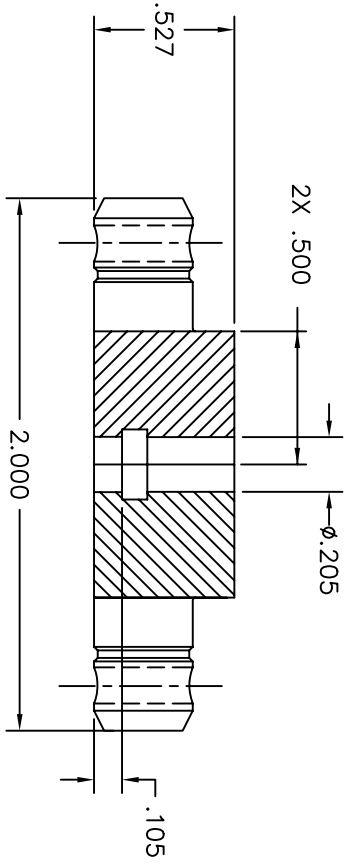


| REVISIONS | | | | |
|-----------|---------------|-----------------|------------|------------|
| REV. SYM. | E.C.O. NUMBER | DESCRIPTION | BY DATE | APP'D DATE |
| 3 | | Ø.205 WAS Ø.149 | JMU 6/9/01 | RRS 6/9/01 |



**UNCONTROLLED DOCUMENT
WILL NOT BE UPDATED**

| | | | |
|--|--------------|--|---------------------|
| RESTRICTED & CONFIDENTIAL | | CONFIDENTIAL PROPERTY OF DANIELS MANUFACTURING CORP. NOT TO BE DISCLOSED TO OTHERS, REPRODUCED OR USED FOR ANY OTHER PURPOSE, EXCEPT AS AUTHORIZED IN WRITING BY DANIELS MANUFACTURING. MUST BE RETURNED TO DANIELS MANUFACTURING CORP. IN CONNECTION WITH ORDER WHICH SENT. | |
| MATERIAL | | HEAT TREAT | |
| FINISH | | FINISH | |
| ITEM | PART NO. | QTY. | DESCRIPTION/REMARKS |
| DRN. B. KILPATRICK | DATE 4-17-98 | | |
| CHK'D. DE | DATE 2-1-98 | | |
| APP'D. | DATE | | |
| APP'D. | DATE | | |
| NOTE: THIS DRAWING IS AN OUTLINE DRAWING OF THE RESPECTIVE INDICATED PART NUMBER. DIMENSIONS ARE TO BE OBTAINED FROM THE "ENV" SUFFIX. | | | |
| WHERE USED: | | CAD FILE NO. Y803-ENV | |
| SIZE C | SCALE 2X | CAD FILE NO. Y803-ENV | SHEET 1 OF 1 |
| POSTING | | DWG. NO. Y803-ENV | REV. 3 |
| DIE SET ENVELOPE DRAWING (CD5-13) | | | |
| Daniel's Manufacturing Corp. ORLANDO, FLORIDA CAGE 11851 | | | |

DO NOT SCALE DRAWING