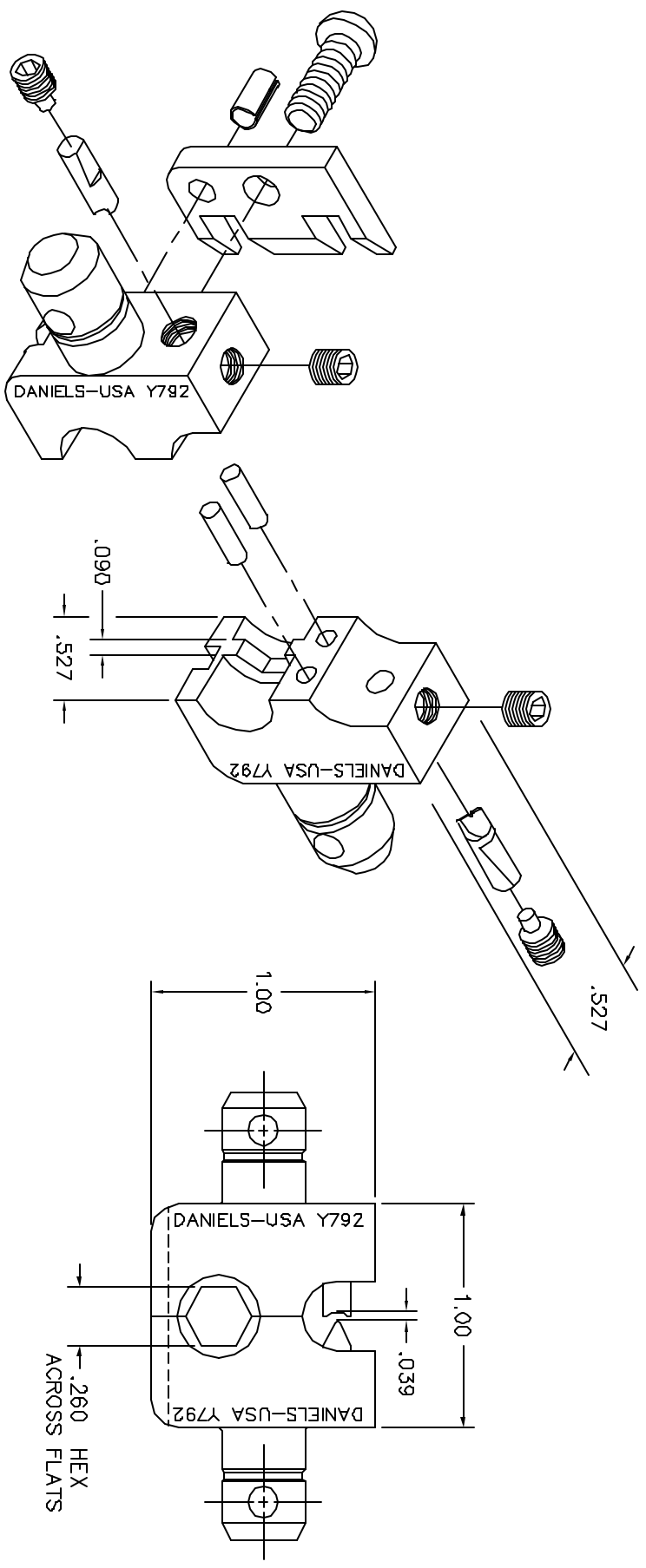


REVISIONS			
REV. NUMBER	DESCRIPTION	BY DATE	APP'D DATE
1	ORIGINAL RELEASE	D.A.O. 1-15-88	DE 1-88



UNCONTROLLED DOCUMENT
WILL NOT BE UPDATED

RESTRICTED & CONFIDENTIAL
 CONFIDENTIAL PROPERTY OF DANIELS MANUFACTURING CORP. NOT TO BE REPRODUCED OR TRANSMITTED IN ANY FORM OR BY ANY MEANS, ELECTRONIC OR MECHANICAL, INCLUDING PHOTOCOPYING, RECORDING, OR BY ANY INFORMATION STORAGE AND RETRIEVAL SYSTEM, WITHOUT THE WRITTEN PERMISSION OF DANIELS MANUFACTURING CORP. ON COMPLETION OF ORDER OR OTHER PURPOSE FOR WHICH INT.

ITEM	PART NO.	QTY.	DESCRIPTION/REMARKS
DRN. D. DEPAIVA CRKT. DE	DATE 1-15-88 DATE 1-15-88		
APPR. DE	DATE		
PMI DANIELS MANUFACTURING CORP. ORLANDO, FLORIDA CASE 11851			
TITLE: DIE SET ENVELOPE DRAWING			
MATERIAL		WHERE USED:	
HEAT TREAT		SIZE	SCALE
FINISH		B	2X
DO NOT SCALE DRAWING		POSTING	CAU P/N
			Y792-ENV
			Y792-ENV
			REV. 1