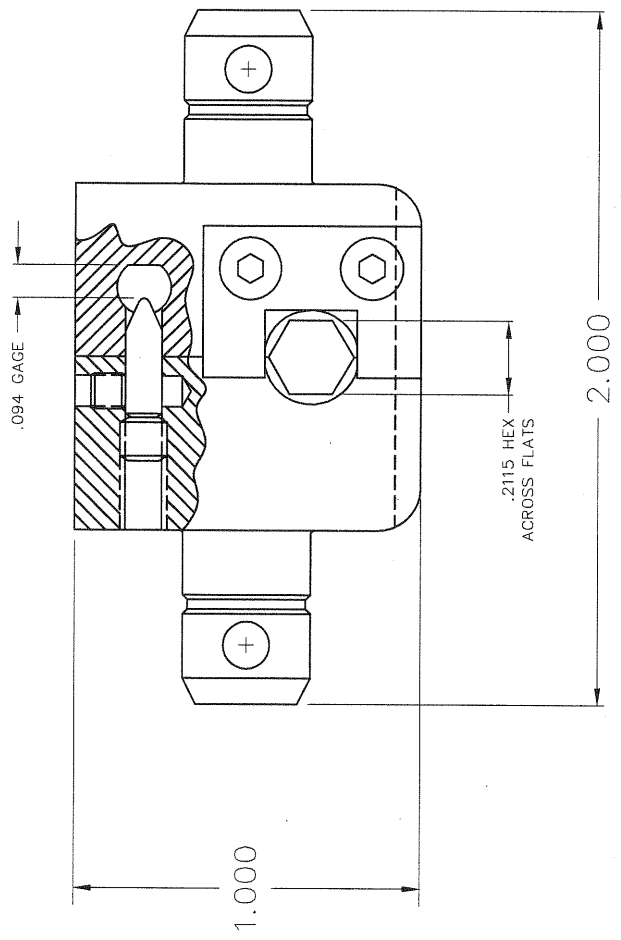


REVISIONS

REV. SYM.	E.C.O. NUMBER	DESCRIPTION	BY DATE	APP'D DATE
1		ORIGINAL RELEASE	D.A.D. 1-7-97	DE 1-97



RESTRICTED & CONFIDENTIAL
 CONFIDENTIAL PROPERTY OF DANIELS MANUFACTURING CORP. NOT TO BE DISCLOSED TO OTHERS, REPRODUCED OR USED FOR ANY OTHER PURPOSE, EXCEPT AS AUTHORIZED IN WRITING BY DANIELS MANUFACTURING. MUST BE RETURNED TO DANIELS MANUFACTURING UPON COMPLETION OF ORDER OR OTHER PURPOSE FOR WHICH SENT.

DO NOT SCALE DRAWING

ITEM	PART NO.	QTY.	DESCRIPTION/REMARKS
DRN.	D. DEPAIVA		DANIELS MANUFACTURING CORP. ORLANDO, FLORIDA CAGE 11851
CHK'D.	DE		
APP'D.			
DATE	1-7-97		
DATE	1-97		
DATE			
DATE			
TITLE DIE SET			
WHERE USED: ENVELOPE DRAWING			
THIS DRAWING IS AN OUTLINE DRAWING OF THE RESPECTIVE DMC PART NUMBER INDICATED. ACTUAL DMC PART NUMBER IS DRAWING NUMBER WITHOUT THE "-ENV" SUFFIX.		SCALE 2X	CAD FILE NO. Y655-ENV
FINISH		POSTING	DWG. NO. Y655-ENV
			SHEET OF 1
			REV. 1