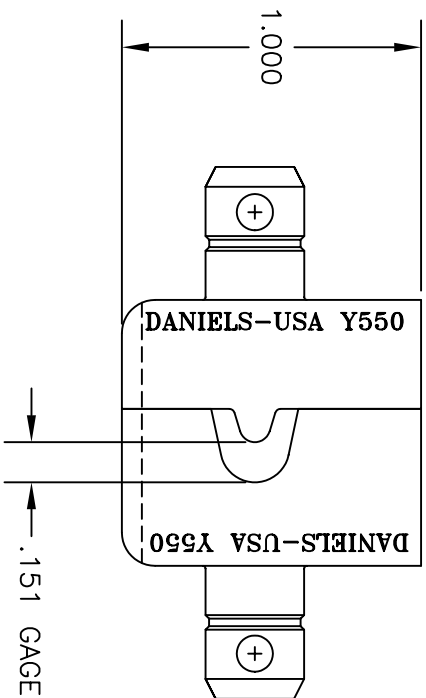
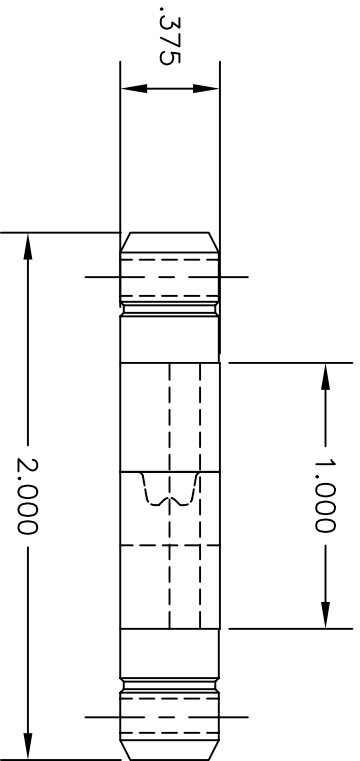


REVISIONS				
REV. SYM.	E.C.O. NUMBER	DESCRIPTION	BY DATE	APP'D DATE
1		ORIGINAL RELEASE	JML 12/8/99	RRR 12/8/99



**UNCONTROLLED DOCUMENT
WILL NOT BE UPDATED**

1. FOR MS3162 & MS3163; MS90453 & MS90454 TERMINALS.

NOTES:

RESTRICTED & CONFIDENTIAL CONFIDENTIAL PROPERTY OF DANIELS MANUFACTURING CORP. NOT TO BE DISCLOSED TO OTHERS, REPRODUCED OR USED FOR ANY OTHER PURPOSE, EXCEPT AS AUTHORIZED IN WRITING. MUST BE RETURNED TO DANIELS MANUFACTURING CORP. ON COMPLETION OF ORDER OR OTHER PURPOSE FOR WHICH LENT.		MATERIAL		ITEM		PART NO.		QTY.		DESCRIPTION/REMARKS	
HEAT TREAT		FINISH		DRN. J. JOYCE CHK'D. RRR APP'D.		DATE 12/8/99 DATE 12/8/99 DATE		TITLE		DIE SET SIZE 8 ENVELOPE DRAWING	
DO NOT SCALE DRAWING		NOTE: THIS DRAWING IS AN OUTLINE DRAWING. PART NUMBER INDICATED. ACTUAL DIM PART NUMBER IS DRAWING NUMBER WITHOUT THE "-ENV" SUFFIX.		WHERE USED: SIZE B SCALE NTS POSTING		CAD P/N Y550-ENV		SHEET 1 OF 1		REV. 1	

