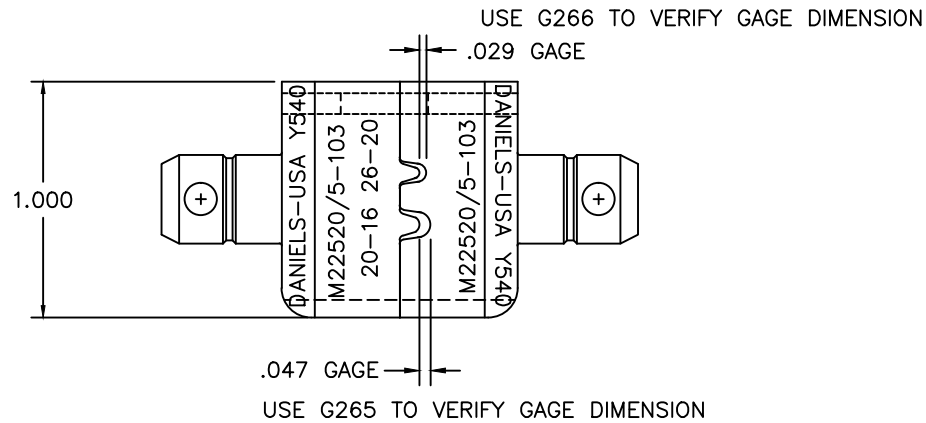
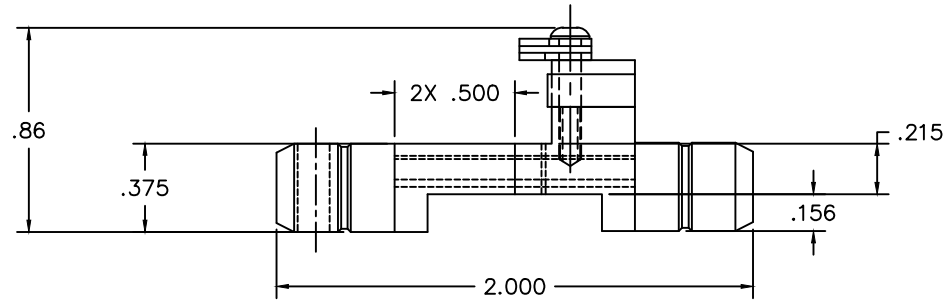


REVISIONS				
REV. SYM.	E.C.O. NUMBER	DESCRIPTION	BY DATE	APP'D DATE
1		ORIGINAL RELEASE	JWJ 11/13/99	RRR 11/13/99
2		ADDED GAGE INFO	ENF 7/16/13	RRR 7/16/13



**UNCONTROLLED DOCUMENT
WILL NOT BE UPDATED**

RESTRICTED & CONFIDENTIAL CONFIDENTIAL PROPERTY OF DANIELS MANUFACTURING CORP. NOT TO BE DISCLOSED TO OTHERS, REPRODUCED OR USED FOR ANY OTHER PURPOSE, EXCEPT AS AUTHORIZED IN WRITING BY DANIELS MANUFACTURING. MUST BE RETURNED TO DANIELS MANUFACTURING CORP. ON COMPLETION OF ORDER OR OTHER PURPOSE FOR WHICH LENT.		MATERIAL	ITEM	PART NO.	QTY.	DESCRIPTION/REMARKS
DO NOT SCALE DRAWING		HEAT TREAT	DRN.	J. JOYCE	DATE	11/13/99
			CHK'D.	RRR	DATE	11/13/99
DO NOT SCALE DRAWING		FINISH	APP'D.		DATE	
			APP'D.		DATE	
DO NOT SCALE DRAWING		FINISH	NOTE: THIS DRAWING IS AN OUTLINE DRAWING OF THE RESPECTIVE DMC PART NUMBER INDICATED. ACTUAL DMC PART NUMBER IS DRAWING NUMBER WITHOUT THE "-ENV" SUFFIX.			TITLE
			WHERE USED:			DIE SET (M22520/5-103) ENVELOPE DRAWING
DO NOT SCALE DRAWING		FINISH	SIZE	B	SCALE	NTS
			CAD P/N	Y540-ENV		SHEET
DO NOT SCALE DRAWING		FINISH	POSTING	DWG. NO.		REV.
			Y540-ENV		2	

DMC DANIELS MANUFACTURING CORP.
ORLANDO, FLORIDA
CAGE 11851