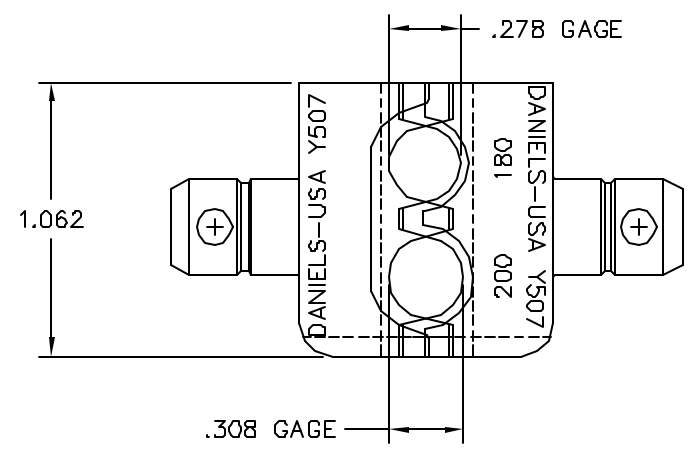
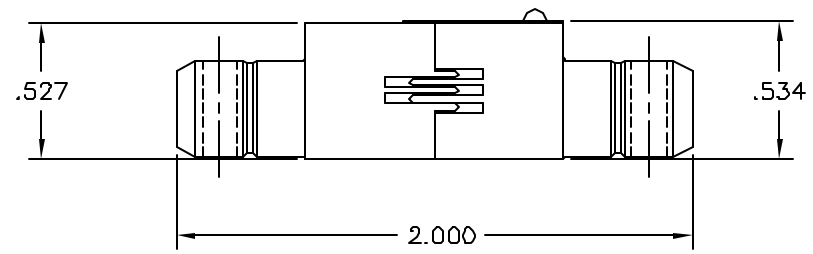



REVISIONS				
REV. SYM.	E.C.D. NUMBER	DESCRIPTION	BY DATE	APP'D DATE
2		.278 GAGE WAS .281/.175 GAGE .308 WAS .311/.305 GAGE	JWJ 10/1/01	RRR 10/1/01



**UNCONTROLLED DOCUMENT
WILL NOT BE UPDATED**

RESTRICTED & CONFIDENTIAL		MATERIAL		ITEM	PART NO.	QTY.	DESCRIPTION/REMARKS
CONFIDENTIAL PROPERTY OF DANIELS MANUFACTURING CORP. NOT TO BE DISCLOSED TO OTHERS, REPRODUCED OR USED FOR ANY OTHER PURPOSE EXCEPT AS AUTHORIZED IN WRITING BY DANIELS MANUFACTURING. MUST BE RETURNED TO DANIELS MANUFACTURING CORP. ON COMPLETION OF ORDER OR OTHER PURPOSE FOR WHICH LENT.		HEAT TREAT		DRN.	JS	DATE	 DANIELS MANUFACTURING CORP. ORLANDO, FLORIDA GAGE 11851
				CHK'D.	DE	DATE	
				APP'D.		DATE	DIE SET
				APP'D.		DATE	ENVELOPE DRAWING
DO NOT SCALE DRAWING		FINISH		WHERE USED:		(MS25312-4)	
				SIZE	SCALE	CAD P/N	SHEET OF
				B	NTS	Y507-ENV	1 1
				POSTING	P/N	Y507-ENV	REV. 2