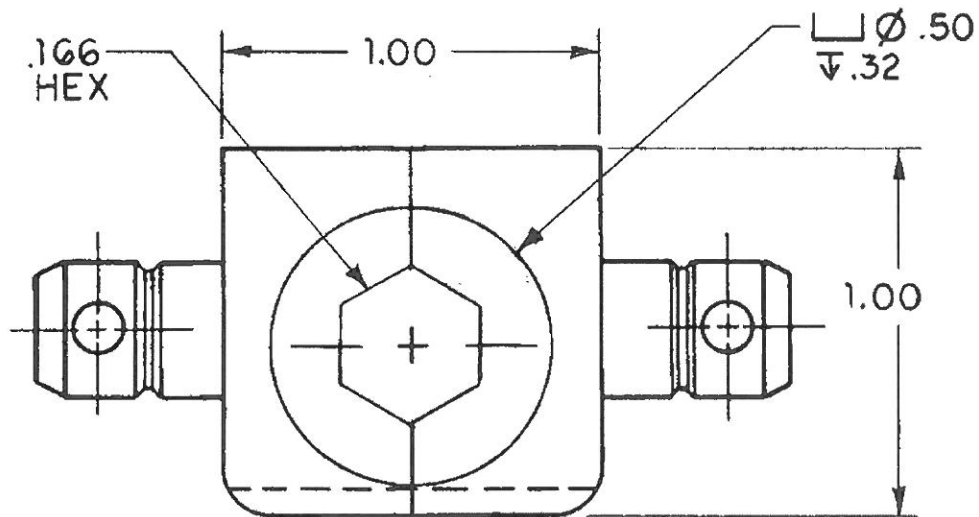



REVISIONS				
REV. SYM.	ECO NO.	DESCRIPTION	BY DATE	APP'D DATE
A		ORIG. RELEASE	8/3/89	J.L.



MAT'L/HEAT TREAT	ITEM	PART NUMBER	REQ'D	DESCRIPTION/NOMENCLATURE	
FINISH	DRN <i>P. Anderson</i>	DATE 8/3/89	 DANIELS MANUFACTURING CORP. ORLANDO, FLORIDA CAGE 11851	TITLE ENVELOPE DRAWING DIE SET	
	CHK'D <i>J. Stufill</i>	DATE 9-9-89			
RESTRICTED & CONFIDENTIAL	APP'D <i>Chris Young</i>	DATE 8-4-89	WHERE USED: HX4		
	CONFIDENTIAL INFORMATION, PROPERTY OF DANIELS MFG. CORP. NOT TO BE DISCLOSED TO OTHERS, REPRODUCED OR USED FOR ANY OTHER PURPOSE, EXCEPT AS AUTHORIZED IN WRITING BY DANIELS MFG. CORP. MUST BE RETURNED TO DANIELS MFG. CORP. ON COMPLETION OF ORDER OR OTHER PURPOSE FOR WHICH LENT.	TOLERANCE: UNLESS OTHERWISE SPECIFIED FRACTIONS ±1/32 ANGLES ±1/2° DECIMALS: .X: ±.020 .XX: ±.010 .XXX: ±.005 .XXXX: ±.0005 REMOVE BURRS & BREAK SHARP EDGES .005-.015	SIZE A		SCALE NTS