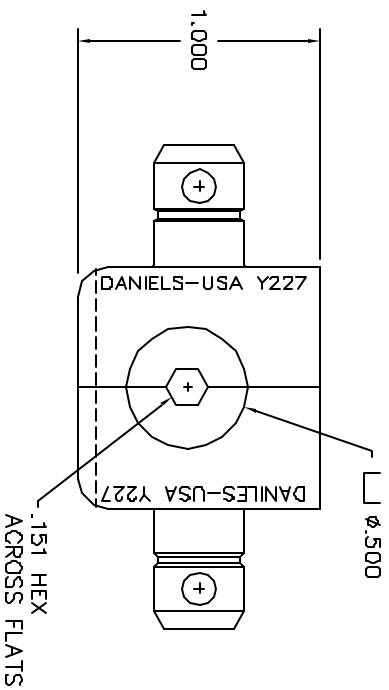
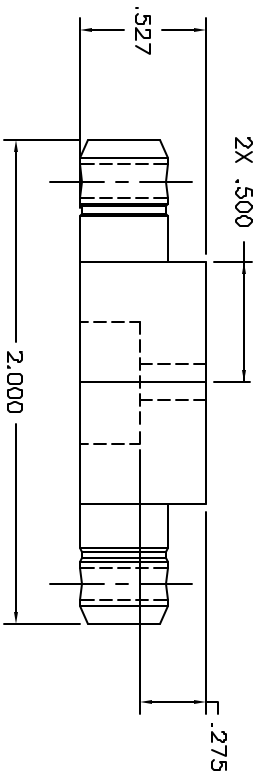


REVISIONS				
REV.	EQCA STN.	DESCRIPTION	BY DATE	APP'D DATE
1		ORIGINAL RELEASE	3/22/88	3/22/88



UNCONTROLLED DOCUMENT
WILL NOT BE UPDATED

RESTRICTED & CONFIDENTIAL		COMPARTMENTAL PROPERTY OF DANIELS MANUFACTURING CORP. NOT TO BE REPRODUCED OR TRANSMITTED IN ANY FORM OR BY ANY MEANS, ELECTRONIC OR MECHANICAL, INCLUDING PHOTOCOPYING, RECORDING, OR BY ANY INFORMATION STORAGE AND RETRIEVAL SYSTEM, WITHOUT PERMISSION IN WRITING BY DANIELS MANUFACTURING CORP.	
MATERIAL		MUST BE RETURNED TO DANIELS MANUFACTURING CORP. ON COMPLETION OF WHICH IDENT.	
HEAT TREAT		DATE	
FINISH		DATE	
ITEM		PART NO.	
DATE		DATE	
CHG'D		DATE	
APPLD		DATE	
DIR		DATE	
DATE		DATE	
TITLE		DESCRIPTION/REMARKS	
DIE SET		DANIELS MANUFACTURING CORP.	
ENVELOPE DRAWING		ORLANDO, FLORIDA	
WHERE USED:		PAGE 11851	
SIZE		Dwg P/N	
SCALE		Y227-ENV	
POSTING		P/N	
B-SHEET		REV	
OF		1	
1		1	

DO NOT SCALE DRAWING