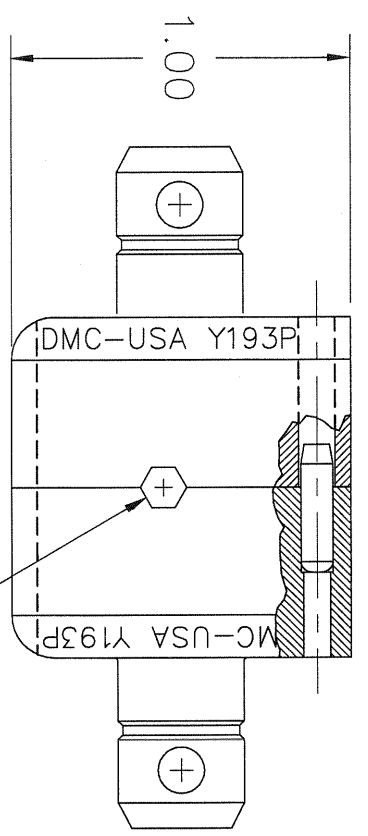
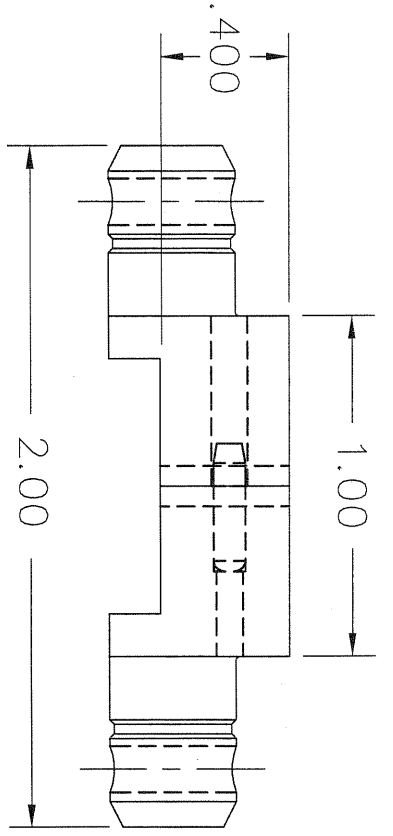


REVISIONS				
REV. SYM.	E.C.O. NUMBER	DESCRIPTION	BY DATE	APP'D DATE
1		ORIGINAL RELEASE	TD 12-8-08	

**UNCONTROLLED DOCUMENT
WILL NOT BE UPDATED**



.118 HEX ACROSS FLATS

NOTES:

USE GAGE G186

RESTRICTED & CONFIDENTIAL

CONFIDENTIAL PROPERTY OF DANIELS MANUFACTURING CORP. NOT TO BE DISCLOSED TO OTHERS, REPRODUCED OR USED FOR ANY OTHER PURPOSE, EXCEPT AS AUTHORIZED IN WRITING BY DANIELS MANUFACTURING. MUST BE RETURNED TO DANIELS MANUFACTURING CORP. ON COMPLETION OF ORDER OR OTHER PURPOSE FOR WHICH SENT.

MATERIAL	ITEM		PART NO.	QTY.	DESCRIPTION/REMARKS		
	DRN. <i>Tony Silworth</i>	DATE 12-8-08			DANIELS MANUFACTURING CORP. ORLANDO, FLORIDA CAGE 11851		
HEAT TREAT	CHK'D.	DATE		TITLE			
FINISH	APP'D.	DATE		WHERE USED:	CAD FILE NO	SHEET OF	
	APP'D.	DATE		SIZE	Y193P-ENV	1	
	NOTE:			SCALE	1.5X	1	
	THIS DRAWING IS AN OUTLINE DRAWING OF THE RESPECTIVE DMC PART NUMBER INDICATED. ACTUAL DMC PART NUMBER IS DRAWING NUMBER WITHOUT THE "-ENV" SUFFIX.			POSTING	DWG. NO.	REV.	
					Y193P-ENV	1	

DO NOT SCALE DRAWING