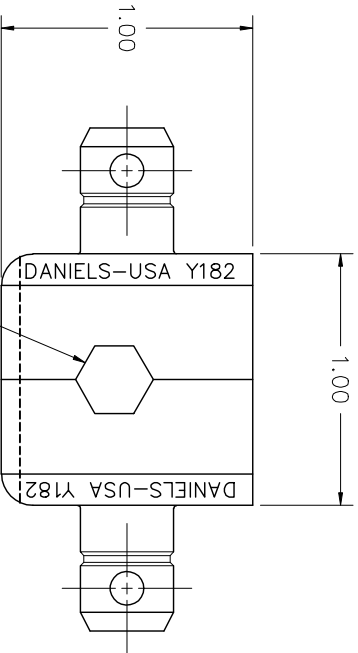
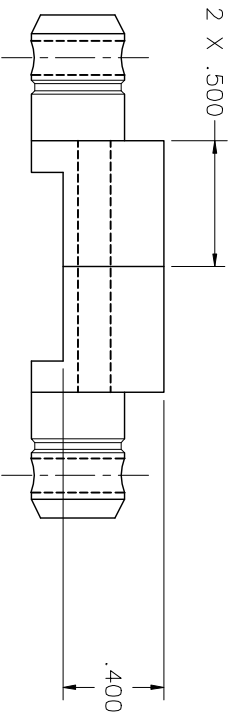


REVISIONS			
REV. STYL.	E.C.O. NUMBER	DESCRIPTION	BY DATE
A		ORIGINAL RELEASE	D.A.D. 5-22-97



.268 HEX  
ACROSS FLATS

**UNCONTROLLED DOCUMENT  
WILL NOT BE UPDATED**

RESTRICTED & CONFIDENTIAL CONFIDENTIAL PROPERTY OF DANIELS MANUFACTURING CORP. NOT TO BE DISCLOSED TO OTHERS, REPRODUCED OR USED FOR ANY OTHER PURPOSE. EXCEPT AS SPECIFICALLY AUTHORIZED BY DANIELS MANUFACTURING. MUST BE RETURNED TO DANIELS MANUFACTURING CORP. ON COMPLETION OF ORDER OR OTHER PURPOSE FOR WHICH LENT.		MATERIAL		ITEM		PART NO.		QTY.		DESCRIPTION/REMARKS	
HEAT TREAT		FINISH		D.P.N. / D. DEPAIVA		DATE / 5-22-97		DATE		DANIELS MANUFACTURING CORP. ORLANDO, FLORIDA CAGE 11851	
NOTE:		THIS DRAWING IS AN OUTLINE DRAWING OF PART. DIMENSIONS INDICATED. ACTUAL DMC PART NUMBER IS DRAWING NUMBER WITHOUT THE "-ENV" SUFFIX.		WHERE USED:		SCALE		CAD P/N		SHEET 1 OF 1	
DIE SET ENVELOPE		B / 2X		P/N		Y182-ENV		Y182-ENV		REV. A	