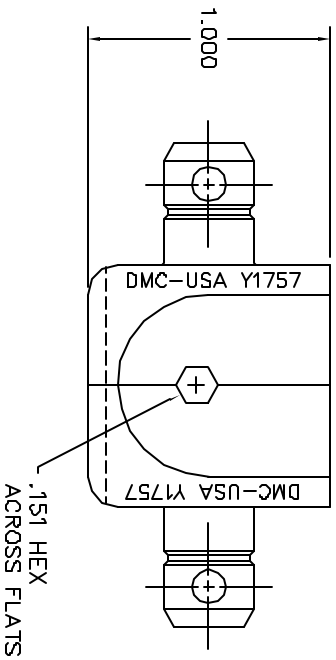
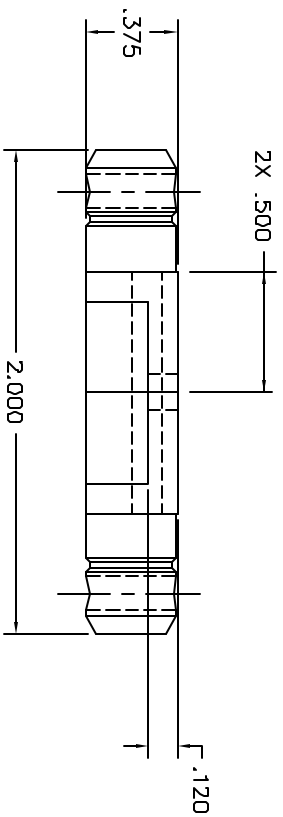


REVISIONS				
REV.	EG&A NUMBER	DESCRIPTION	BY DATE	APP'D DATE
1		ORIGINAL RELEASE	9/27/98	9/27/98



**UNCONTROLLED DOCUMENT
WILL NOT BE UPDATED**

RESTRICTED & CONFIDENTIAL		MATERIAL		ITEM		PART NO.		QTY.		DESCRIPTION/REMARKS	
CONFIDENTIAL PROPERTY OF DANIELS MANUFACTURING CORP. NOT TO BE REPRODUCED OR TRANSMITTED IN ANY FORM OR BY ANY MEANS, ELECTRONIC OR MECHANICAL, INCLUDING PHOTOCOPYING, RECORDING, OR BY ANY INFORMATION STORAGE AND RETRIEVAL SYSTEM, WITHOUT THE WRITTEN PERMISSION OF DANIELS MANUFACTURING CORP. ON COMPLETION OF ORDER OR OTHER PURPOSE FOR WHICH INTENT.		HEAT TREAT		DAN J. JOYCE		DATE 8/21/98		DANIELS MANUFACTURING CORP. ORLANDO, FLORIDA CASE 11851		DIE SET ENVELOPE DRAWING	
		FINISH		APPR'D.		DATE					
DO NOT SCALE DRAWING				THIS DRAWING IS AN OUTLINE DRAWING OF THE RESPECTIVE PART NUMBER INDICATED IN THE "REV" BLOCK OF THE "-ENV" SHEET.		NOTE: WHERE USED: SIZE SCALE B 2X POSTING		CAD P/N Y1757-ENV DWC NO Y1757-ENV		SHEET 1 OF 1 REV 1	