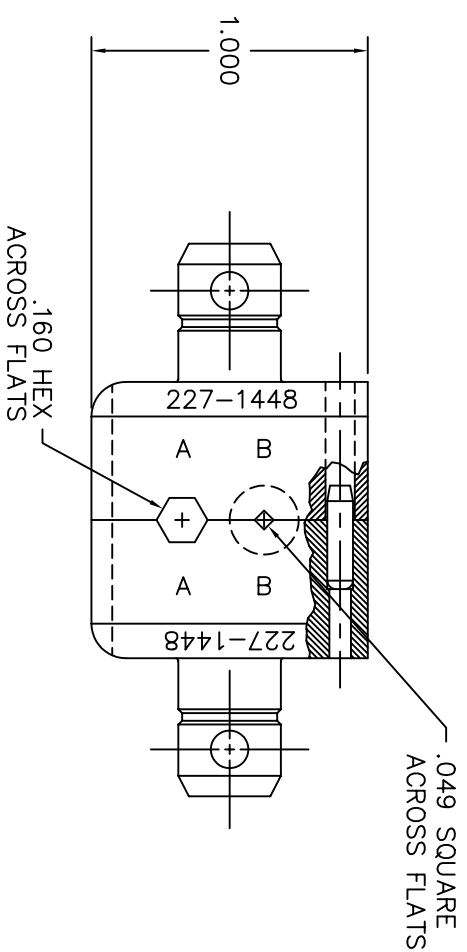
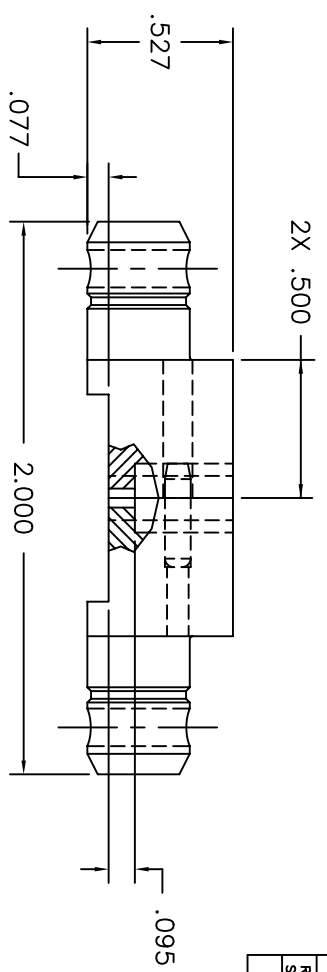


REVISIONS				
REV. NUMBER	E.C.O. NUMBER	DESCRIPTION	BY DATE	APP'D DATE
1		ORIGINAL RELEASE	JMU 3/25/00	RRR 3/25/00



**UNCONTROLLED DOCUMENT
WILL NOT BE UPDATED**

RESTRICTED & CONFIDENTIAL		MATERIAL		ITEM		PART NO.		QTY.		DESCRIPTION/REMARKS	
CONFIDENTIAL PROPERTY OF DANIELS MANUFACTURING CORP. NOT TO BE DISCLOSED TO OTHERS; REPRODUCED OR USED FOR ANY OTHER PURPOSE, EXCEPT AS AUTHORIZED IN WRITING BY DANIELS MANUFACTURING CORP. ON COMPLETION OF ORDER OR OTHER PURPOSE FOR WHICH SENT.		HEAT TREAT		DRN. J. JOYCE		DATE 3/23/00				DANIELS MANUFACTURING CORP. ORLANDO, FLORIDA CAGE 11851	
DO NOT SCALE DRAWING		FINISH		CHK'D. RRR		DATE 3/25/00				DIE SET ENVELOPE DRAWING	
				APP'D.		DATE		WHERE USED:		CAD P/N	
								SIZE B		Y1640P-ENV	
								SCALE ZX		SHEET 1 OF 1	
								POSTING		DWG. NO. Y1640P-ENV	
										REV. 1	

1. AMPHENOL EQUIVALENT 227-1448.
NOTES: