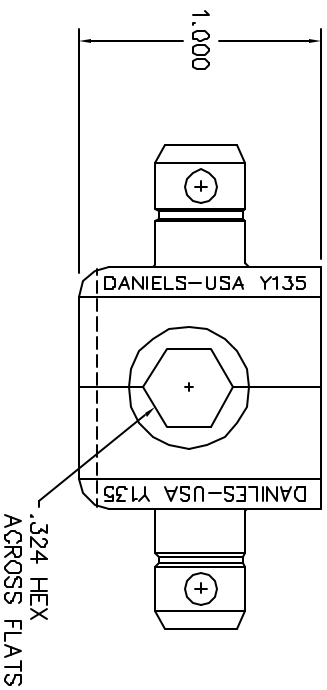
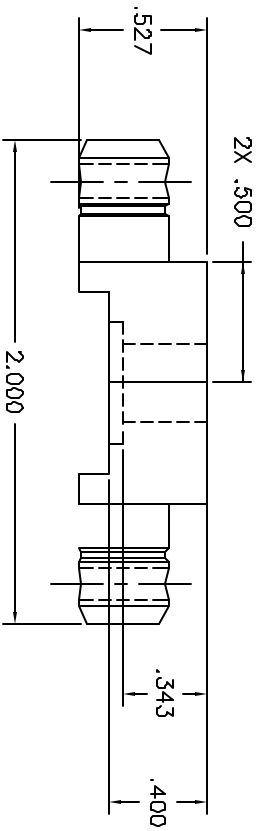


REVISIONS		BY	APP'D
REV.	DESCRIPTION	DATE	DATE
1	ORIGINAL RELEASE	5/19/20	5/19/20



**UNCONTROLLED DOCUMENT
WILL NOT BE UPDATED**

RESTRICTED & CONFIDENTIAL CONFIDENTIAL PROPERTY OF DANIELS MANUFACTURING CORP. NOT TO BE REPRODUCED OR TRANSMITTED IN ANY FORM OR BY ANY MEANS, ELECTRONIC OR MECHANICAL, INCLUDING PHOTOCOPYING, RECORDING, OR BY ANY INFORMATION STORAGE AND RETRIEVAL SYSTEM, WITHOUT PERMISSION IN WRITING BY DANIELS MANUFACTURING CORP. MUST BE RETURNED TO DANIELS MANUFACTURING CORP. ON COMPLETION OF WHICH LEFT.		MATERIAL	ITEM	PART NO.	QTY.	DESCRIPTION/REMARKS
		HEAT TREAT	DATE	DATE	DATE	DATE
DO NOT SCALE DRAWING		FINISH	DATE	DATE	DATE	DATE
WHERE USED:		SIZE	SCALE	DWG P/N	B-SHEET	OF
DIE SET ENVELOPE DRAWING		B	2X	Y135-ENV	1	1
P/M		POSTING		Y135-ENV	REV	1