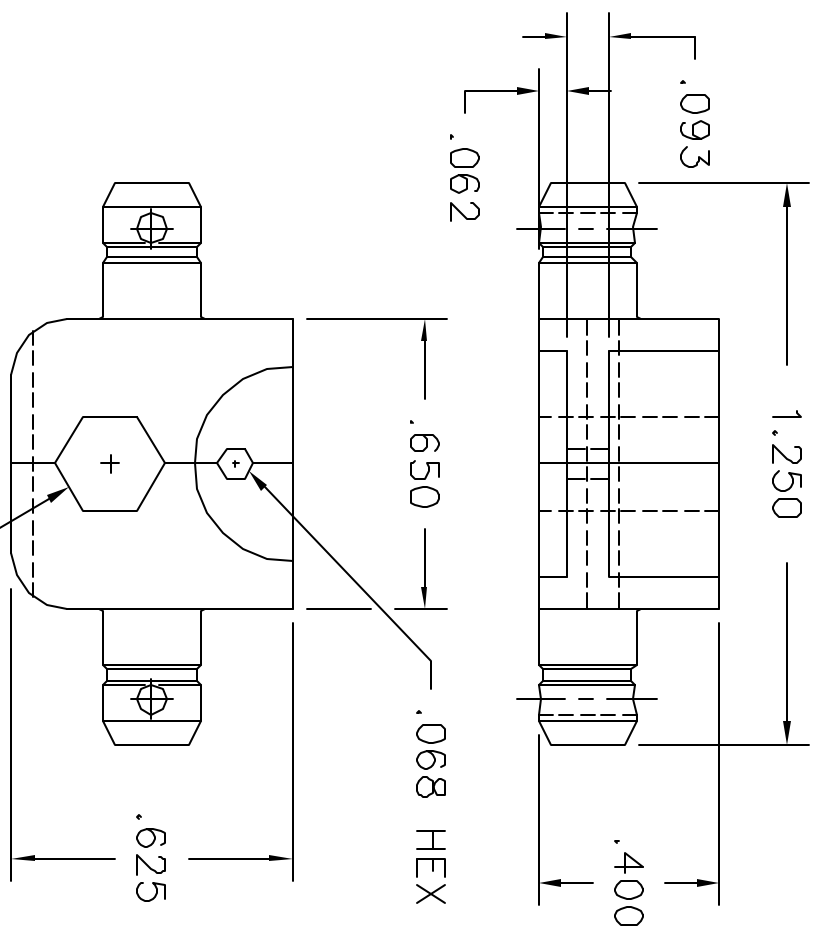


REVISIONS				
REV. SYM.	E.C.O. NUMBER	DESCRIPTION	BY DATE	APP'D DATE
1		ORIGINAL RELEASE	T. STANFILL 3-20-89	DE 3-89

**UNCONTROLLED DOCUMENT
WILL NOT BE UPDATED**



.213 HEX ACROSS FLATS

RESTRICTED & CONFIDENTIAL

CONFIDENTIAL PROPERTY OF DANIELS MANUFACTURING CORP. NOT TO BE DISCLOSED TO OTHERS, REPRODUCED OR USED FOR ANY OTHER PURPOSE, EXCEPT AS AUTHORIZED IN WRITING BY DANIELS MANUFACTURING. MUST BE RETURNED TO DANIELS MANUFACTURING CORP. ON COMPLETION OF ORDER OR OTHER PURPOSE FOR WHICH SENT.

MATERIAL:	
HEAT TREAT	
FINISH	

ITEM	PART NO.	QTY.	DESCRIPTION/REMARKS
DRN T. STANFILL	DATE 3-20-89		
CHK'D DE	DATE 3-89		
APP'D	DATE		
APP'D	DATE		
DMA DANIELS MANUFACTURING CORP. ORLANDO, FLORIDA CAGE 11851			
TITLE DIE SET ENVELOPE DRAWING			
WHERE USED: SIZE A SCALE 2X CAD FILE NO X108-ENV SHEET OF 1 REV. 1			

DO NOT SCALE DRAWING