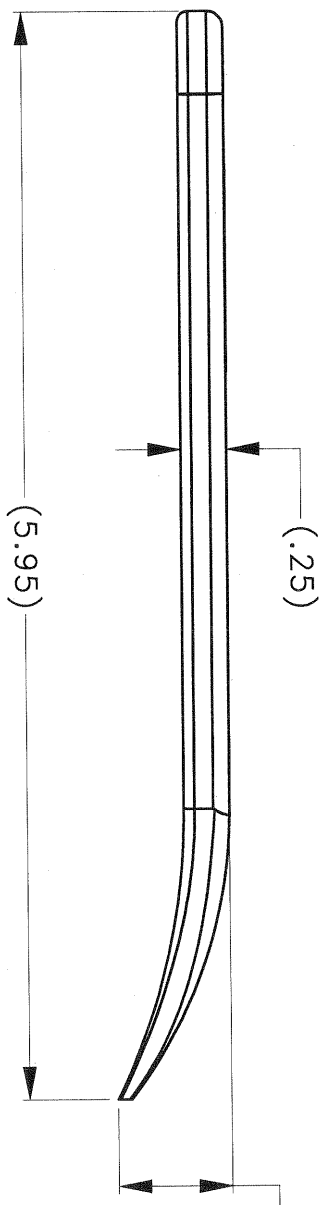
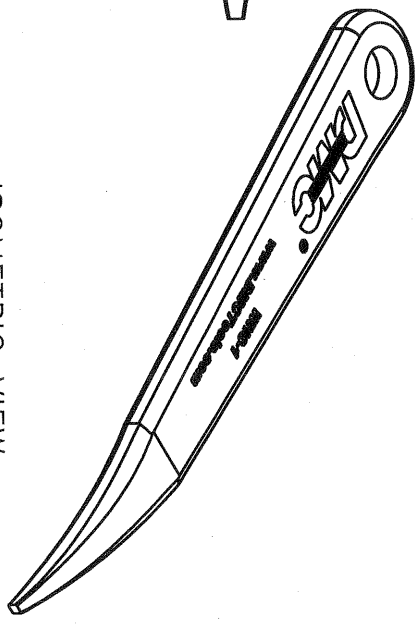


UNCONTROLLED DOCUMENT  
WILL NOT BE UPDATED

REV. SYM		ECO NUMBER	DESCRIPTION	BY DATE	APP'D DATE
1			ORIGINAL RELEASE	MF 3-28-11	
2			ADDED NOTE 2	MF 8-31-11	



ISOMETRIC VIEW

2. NSN: 5895-01-598-1301  
1. ALL DIMENSIONS IN INCHES.

NOTES:

RESTRICTED & CONFIDENTIAL  
CONFIDENTIAL PROPERTY OF DANIELS MANUFACTURING CORP. NOT TO BE DISCLOSED TO OTHERS, REPRODUCED OR USED FOR ANY OTHER PURPOSE EXCEPT AS AUTHORIZED IN WRITING, BY DANIELS MANUFACTURING. MUST BE RETURNED TO DANIELS MANUFACTURING CORP. ON COMPLETION OF ORDER OR OTHER PURPOSES FOR WHICH LENT.

CREATED FROM AN INVENTOR MODEL.  
CHANGES MUST BE REFLECTED IN THE 3D PART

DO NOT SCALE DRAWING

MATERIAL	ITEM	PART NO.	QTY.	DESCRIPTION/REMARKS			
HEAT TREAT	DRN. <b>Matt Frink</b>	DATE 3-28-11		<b>DMC</b> DANIELS MANUFACTURING CORP. ORLANDO, FLORIDA CAGE 11851			
	CHK'D.	DATE					
	APP'D.	DATE					
FINISH	NOTE: THIS DRAWING IS AN OUTLINE DRAWING OF THE RESPECTIVE DMC PART NUMBER INDICATED. ACTUAL DMC PART NUMBER IS DRAWING PART NUMBER WITHOUT THE "-ENV" SUFFIX		WHERE USED:				
			SIZE A	SCALE 1:1	CAD P/N WHS-1-ENV	SHEET 1	OF 1
			POSTING		P/N WHS-1-ENV	REV. 1	OF 2

TITLE  
WIRE HARNESS SPOON  
ENVELOPE DRAWING