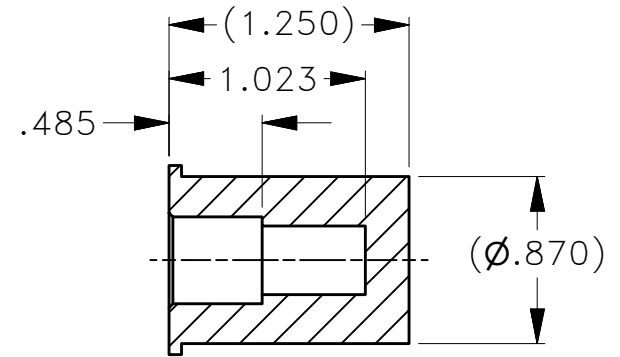
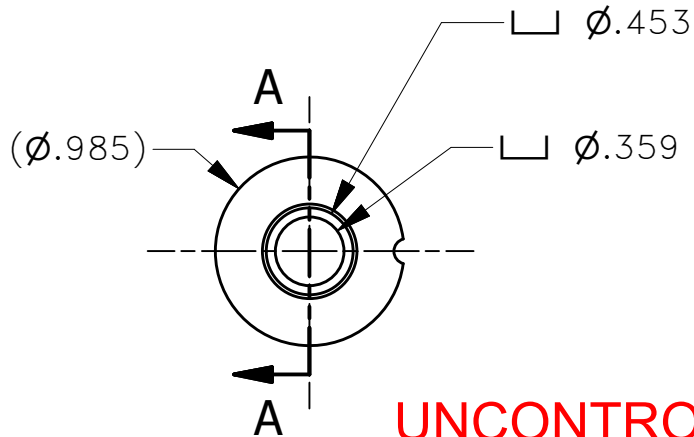


FOR USE WITH WA23-4 DIE




SECTION A-A

**UNCONTROLLED DOCUMENT**  
**WILL NOT BE UPDATED**

NOTES: 1. THIS IS AN ICAD DRAWING. DO NOT CHANGE MANUALLY.

REVISIONS		WA23-190L_ENV		
REV SYM	ECO NUMBER	DESCRIPTION	BY DATE	APP'D DATE
A		NEW RELEASE	DYO 02-03-12	MMK 02-03-12

MATERIAL	ITEM	PART NO.	QTY.	DESCRIPTION/REMARKS
REF: 2024 ALUM	DRN. M.KANETOMI	DATE 02-03-12	 21615 S.W. THIALATIN VALLEY HWY., BEAVERTON OR 97006	
	CHK'D. MMK	DATE 02-03-12		
HEAT TREAT N/A	APP'D.	DATE	TITLE ENVELOPE DRAWING: WA23-190L LOCATOR, 4 GAGE	
	APP'D.	DATE		
FINISH --	TOLERANCE: UNLESS OTHERWISE SPECIFIED FRACTIONS ± 1/32 ANGLES ± 1' DECIMAL INCHES: .X ± .030 .XX ± .010 .XXX ± .005 .XXXX ± .0005 REMOVE BURRS AND BREAK SHARP EDGES .005-.015		WHERE USED:	
CREATED FROM AN INVENTOR MODEL. CHANGES MUST BE REFLECTED IN THE 3D PART	SIZE A	SCALE N.T.S.	CAD P/N --	SHEET OF 10F1
DO NOT SCALE DRAWING	POSTING	P/N WA23-190L_ENV	REV. A	