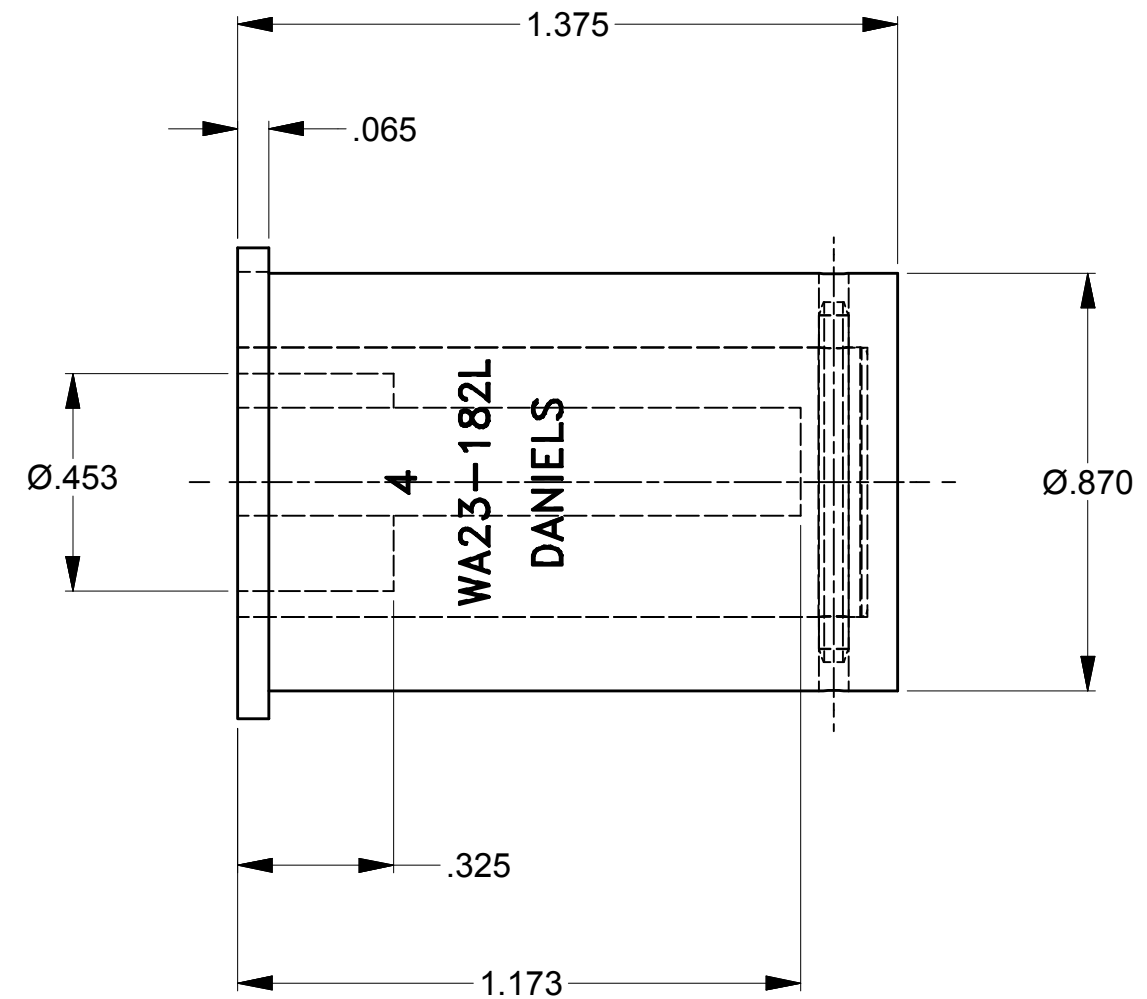
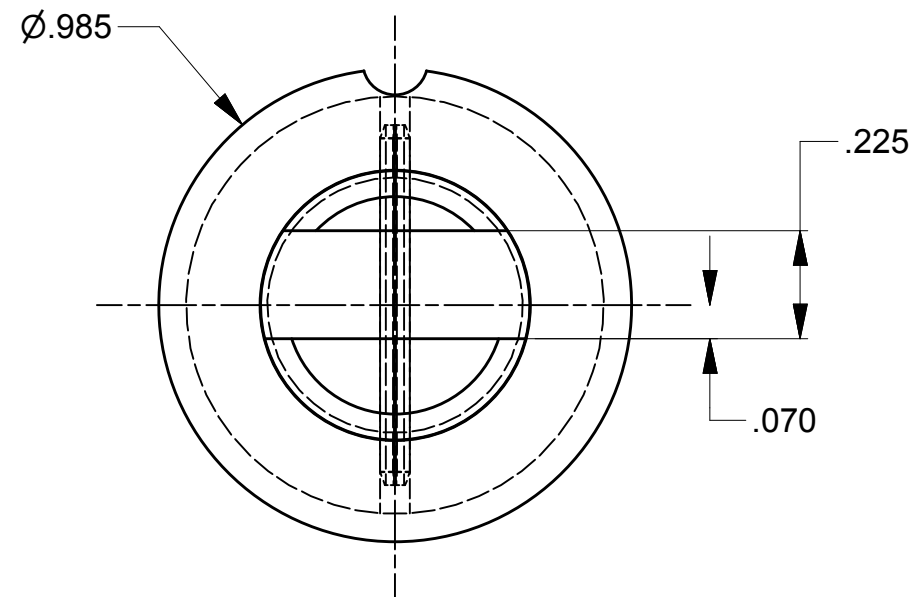


REVISIONS				
REV SYM	ECO NUMBER	DESCRIPTION	BY DATE	APP'D DATE
1		ORIGINAL RELEASE	TD 04-18-14	



**UNCONTROLLED DOCUMENT
WILL NOT BE UPDATED**

DIMENSIONS IN INCHES - UNLESS OTHERWISE SPECIFIED

RESTRICTED & CONFIDENTIAL CONFIDENTIAL PROPERTY OF DANIELS MANUFACTURING CORP. NOT TO BE DISCLOSED TO OTHERS, REPRODUCED OR USED FOR ANY OTHER PURPOSE EXCEPT AS AUTHORIZED IN WRITING BY DANIELS MANUFACTURING. MUST BE RETURNED TO DANIELS MANUFACTURING CORP. ON COMPLETION OF ORDER OR OTHER PURPOSE FOR WHICH LENT.	MATERIAL	ITEM	PART No.	QTY.	DESCRIPTION/REMARKS
	N/A	DRN. <i>Tony Dilworth</i>	DATE 04-18-14		DMC DANIELS MANUFACTURING CORP. ORLANDO, FLORIDA CAGE 11851
		CHK'D.	DATE		
	HEAT TREAT	APP'D.	DATE	LOCATOR ENVELOPE DRAWING	
N/A	APP'D.	DATE			
CREATED FROM AN INVENTOR MODEL. CHANGES MUST BE REFLECTED IN THE 3D PART	FINISH	NOTE: THIS DRAWING IS AN OUTLINE DRAWING OF THE RESPECTIVE DMC PART NUMBER INDICATED. ACTUAL DMC PART NUMBER IS DRAWING NUMBER WITHOUT THE "-ENV" SUFFIX		WHERE USED:	
DO NOT SCALE DRAWING	N/A	SIZE B	SCALE 2.5X	CAD P/N WA23-182L-ENV	SHEET OF 1 1
		POSTING	P/N WA23-182L-ENV	REV. 1	