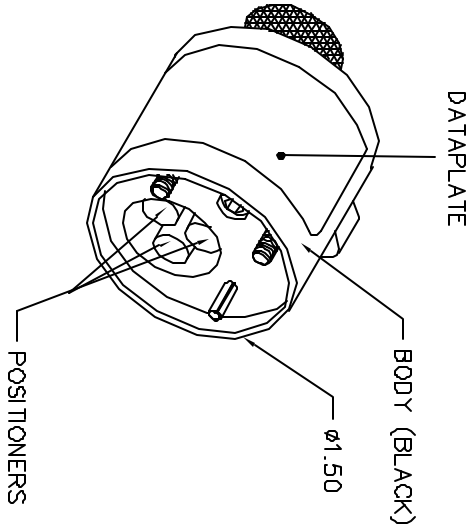


VEAM CONTACTS	COLOR CODE	6	4	12	3	2.5	1.9	1.5	1.6	1.8	20	AWG WIRE SIZE
27914-()	RED			8								
&				8								
27964-()				8								
				8								
27963				8								
45470				8								
45473				8								
45454				8								
45474				8								
27913	BLUE											
45453												
45471												
27911	GREEN											
45451												

SELECTOR NUMBER



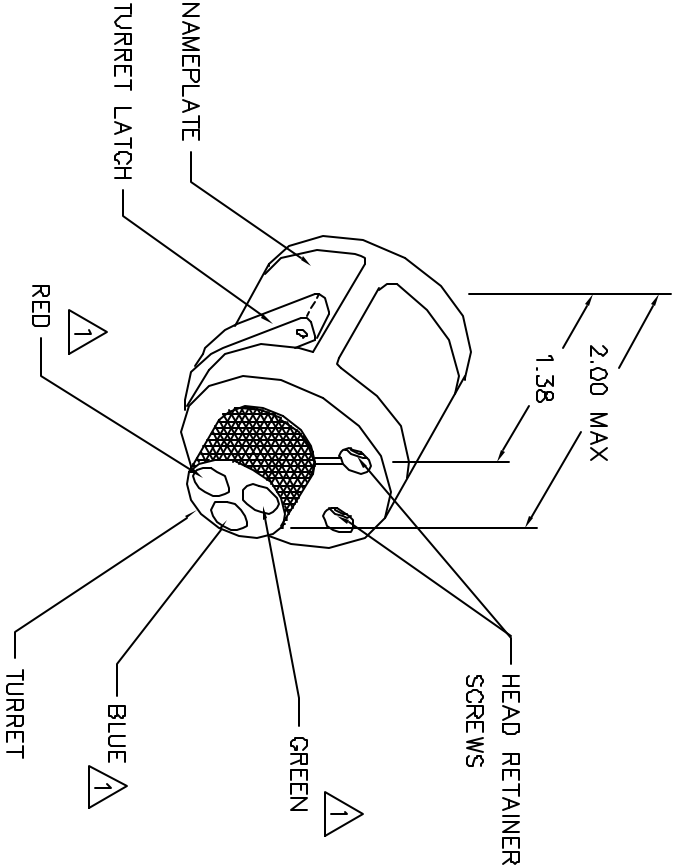
POSITIONER COLOR	* HOLE DIMENSIONS	ADDITIONAL FEATURES
RED	Ø.205 ±.954	
BLUE	Ø.137 ±.639	
GREEN	Ø.133 ±.576	

NOTES:

1. RANDOM ORDER OF ROTATION IS ACCEPTABLE.
2. USE WITH VMB CRIMP TOOL.

* HOLE DEPTH DIMENSIONS ARE MEASURED FROM THE TOP OF THE POSITIONER INSERTS.

REVISIONS			
REV. STYL.	E.O.D. NUMBER	DESCRIPTION	BY DATE APP'D DATE
1		ORIGINAL RELEASE	4/10/02



**UNCONTROLLED DOCUMENT
WILL NOT BE UPDATED**

RESTRICTED & CONFIDENTIAL		CONVENTIONAL PROPERTY OF DANIELS MANUFACTURING CORP. NOT TO BE DISCLOSED TO OTHERS, REPRODUCED OR USED FOR ANY OTHER PURPOSE, EXCEPT AS AUTHORIZED IN WRITING BY DANIELS MANUFACTURING MANUFACTURING CORP. ON COMPLETION OF ORDER OR OTHER PURPOSE FOR WHICH LEFT.
ITEM	PART NO.	DESCRIPTION/REMARKS
QTY.		
DWG. J. JOYCE 4/10/02	DATE 4/10/02	TITLE TURRET HEAD ENVELOPE DRAWING
CHKD. RRR	DATE	WHERE USED: VMB
APRD.	DATE	SIZE B
SCALE NTS	WH435-290-ENV	SHEET 1 OF 1
POSTING	VH435-290-ENV	REV. 1