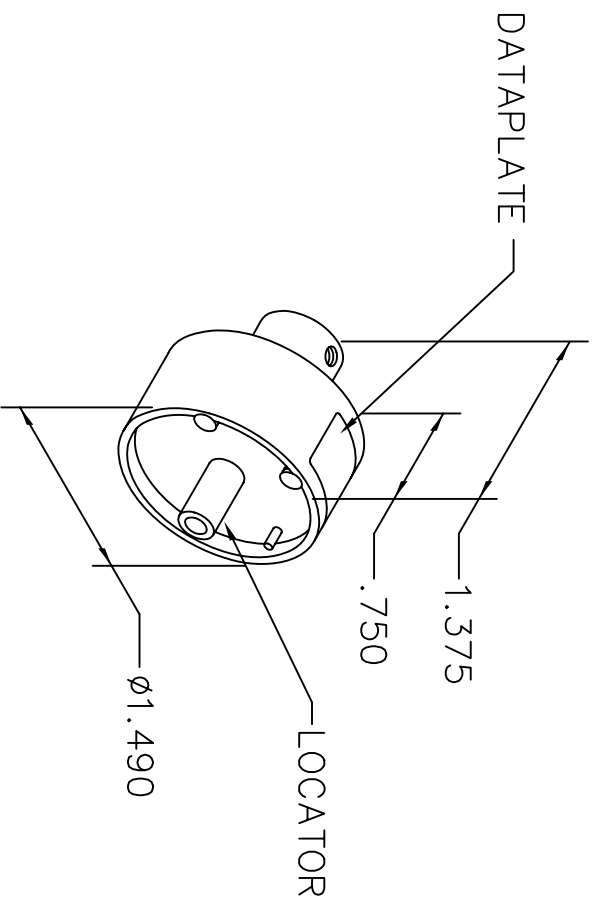


REVISIONS				
REV. SYM.	E.C.O. NUMBER	DESCRIPTION	BY DATE	APP'D DATE
1		REDRAWN	BY 11-13-86	MS 11-13-86

**UNCONTROLLED DOCUMENT
WILL NOT BE UPDATED**



CONTACT	WIRE	SEL. NO.
BENDIX	14	5
10-516032		
USE WITH M309 CRIMPING TOOL		

DATAPLATE

LOCATOR	
HOLE DIMENSIONS	ADDITIONAL FEATURES
ø.203 ∓.632	

RESTRICTED & CONFIDENTIAL

CONFIDENTIAL PROPERTY OF DANIELS MANUFACTURING CORP. NOT TO BE DISCLOSED TO OTHERS, REPRODUCED OR USED FOR ANY OTHER PURPOSE, EXCEPT AS AUTHORIZED IN WRITING BY DANIELS MANUFACTURING. MUST BE RETURNED TO DANIELS MANUFACTURING CORP. ON COMPLETION OF ORDER OR OTHER PURPOSE FOR WHICH LENT.

DO NOT SCALE DRAWING

DRN.	BY	DATE	TITLE				
CHK'D.	MS	DATE	Daniel's Manufacturing Corp. ORLANDO, FLORIDA CAGE 11851				
APP'D.	AAM	DATE					
APP'D.		DATE	WHERE USED: M309 ENVELOPE DRAWING SINGLE POSITION HEAD				
NOTE: THIS DRAWING IS AN OUTLINE DRAWING OF THE RESPECTIVE DMC PART NUMBER INDICATED. ACTUAL DMC PART NUMBER IS DRAWING NUMBER WITHOUT THE "-ENV" SUFFIX.			SIZE	SCALE	CAD P/N	SHEET	OF
			A	NTS	TP748-ENV	1	1
			POSTING		DWG. NO.		REV.
					TP748-ENV		1