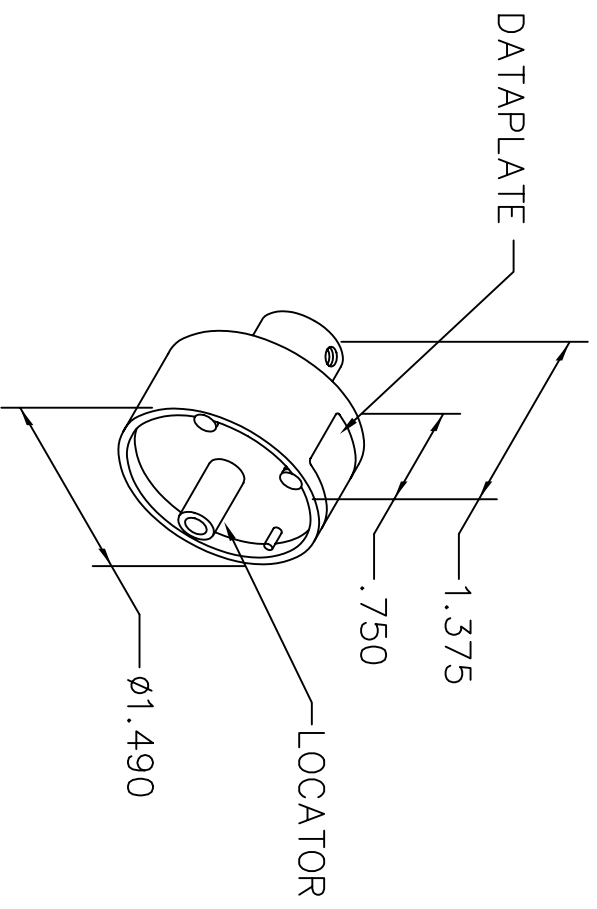


REVISIONS				
REV. SYM.	E.C.O. NUMBER	DESCRIPTION	BY DATE	APP'D DATE
1		ORIGINAL RELEASE	JWJ 1/19/04	RRR 1/19/04

**UNCONTROLLED DOCUMENT
WILL NOT BE UPDATED**



INNER CONTACT	CABLE	SEL. NO.
GULL AIRBORNE CONNECTOR P/N 061-002-001	SURPRENANT P/N 14327	6


DATAPLATE

LOCATOR	
HOLE DIMENSIONS	ADDITIONAL FEATURES
ø.089 ∓ .479	

RESTRICTED & CONFIDENTIAL

CONFIDENTIAL PROPERTY OF DANIELS MANUFACTURING CORP. NOT TO BE DISCLOSED TO OTHERS, REPRODUCED OR USED FOR ANY OTHER PURPOSE, EXCEPT AS AUTHORIZED IN WRITING BY DANIELS MANUFACTURING. MUST BE RETURNED TO DANIELS MANUFACTURING CORP. ON COMPLETION OF ORDER OR OTHER PURPOSE FOR WHICH LENT.

DO NOT SCALE DRAWING

DRN. J. JOYCE	DATE 1/19/04	 DANIELS MANUFACTURING CORP. ORLANDO, FLORIDA CAGE 11851
CHK'D. RRR	DATE 1/19/04	
APP'D. DATE	DATE	
NOTE: THIS DRAWING IS AN OUTLINE DRAWING OF THE RESPECTIVE DMC PART NUMBER INDICATED. ACTUAL DMC PART NUMBER IS DRAWING NUMBER WITHOUT THE "-ENV" SUFFIX.		TITLE SINGLE POSITION HEAD ENVELOPE DRAWING
WHERE USED: AF8		
SIZE A	SCALE NTS	CAD P/N TP715-ENV
POSTING		DWG. NO. TP715-ENV
	SHEET 1 OF 1	REV. 1