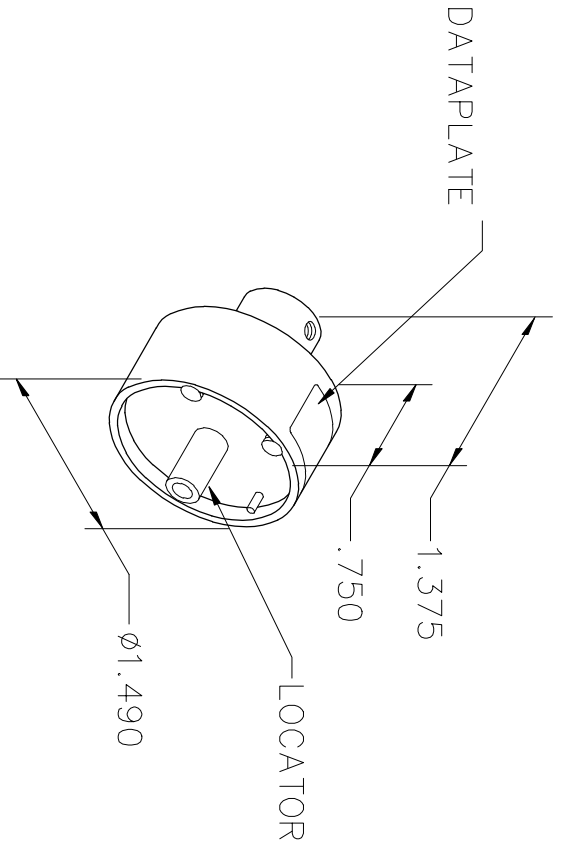


REVISIONS				
REV. SYM.	E.C.O. NUMBER	DESCRIPTION	BY DATE	APP'D DATE
1		ORIGINAL RELEASE	TD 10/31/08	

**UNCONTROLLED DOCUMENT
WILL NOT BE UPDATED**



SOURIAU CONTACTS	14	16	18	20	22	WIRE SIZE
8400-309A						
8400-621B	7	6	5	4	3	SEL. NO.
8400-242A						
8400-620B						

DATAPLATE

LOCATOR	ADDITIONAL FEATURES
HOLE DIMENSIONS	
∅.130 THRU	∅.140 THRU

RESTRICTED & CONFIDENTIAL

CONFIDENTIAL PROPERTY OF DANIELS MANUFACTURING CORP. NOT TO BE DISCLOSED TO OTHERS, REPRODUCED OR USED FOR ANY OTHER PURPOSE, EXCEPT AS AUTHORIZED IN WRITING BY DANIELS MANUFACTURING. MUST BE RETURNED TO DANIELS MANUFACTURING CORP. ON COMPLETION OF ORDER OR OTHER PURPOSE FOR WHICH LENT.

DO NOT SCALE DRAWING

DRN: <i>Jenny Sitworth</i>	DATE: 10/31/08			DANIELS MANUFACTURING CORP. ORLANDO, FLORIDA CAGE 11851	
CHK'D:	DATE:	DMC		ENVELOPE DRAWING SINGLE POSITION HEAD	
APP'D:	DATE:	WHERE USED: AFB		CAD P/N: TP670-ENV	
APP'D:	DATE:	NOTE: THIS DRAWING IS AN OUTLINE DRAWING OF THE RESPECTIVE DMC PART NUMBER INDICATED. ACTUAL DMC PART NUMBER IS DRAWING NUMBER WITHOUT THE "-ENV" SUFFIX.		SHEET 1 OF 1	
DO NOT SCALE DRAWING		POSTING		DWG. NO. TP670-ENV	
				REV. 1	