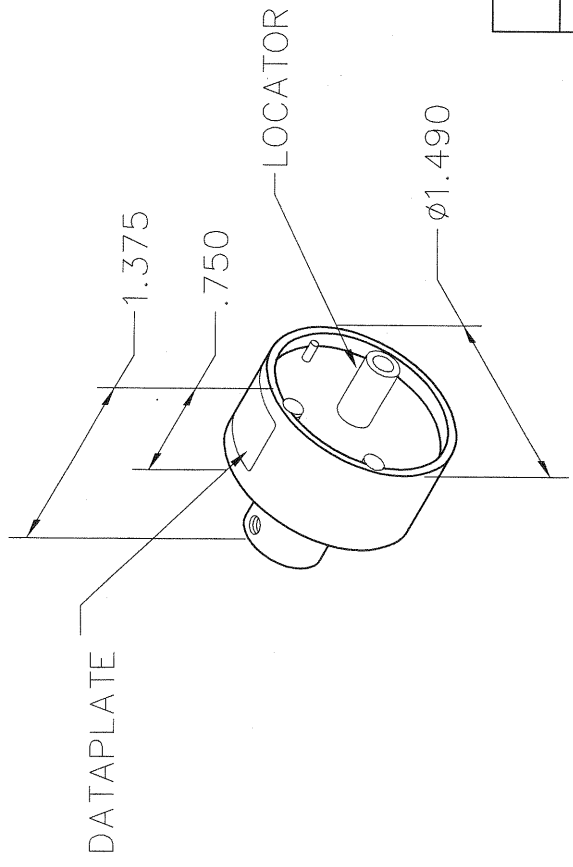


REVISIONS			
REV. SYM.	E.C.O. NUMBER	DESCRIPTION	BY DATE
2		CONTACTS WERE RP54935 & RP54936	AAM 7-23-01
			JWJ 7-23-01



RADIALL	16	12	WIRE SIZE
617 360 001	4	6	SELECTOR NUMBER
617 360 002			
USE WITH M309 TOOL			

DATAPLATE

LOCATOR	
HOLE DIMENSIONS	ADDITIONAL FEATURES
ϕ .281 ∇ .586	

RESTRICTED & CONFIDENTIAL

CONFIDENTIAL PROPERTY OF DANIELS MANUFACTURING CORP. NOT TO BE DISCLOSED TO OTHERS, REPRODUCED OR USED FOR ANY OTHER PURPOSE, EXCEPT AS AUTHORIZED IN WRITING BY DANIELS MANUFACTURING. MUST BE RETURNED TO DANIELS MANUFACTURING CORP. ON COMPLETION OF ORDER OR OTHER PURPOSE FOR WHICH LENT.

DO NOT SCALE DRAWING

DRN. A. MOO-YOUNG	DATE 7-17-01
CHK'D. RRR	DATE 7-17-01
APP'D.	DATE
APP'D.	DATE

NOTE:
 THIS DRAWING IS AN OUTLINE DRAWING OF THE RESPECTIVE DMC PART NUMBER INDICATED. ACTUAL DMC PART NUMBER IS DRAWING NUMBER WITHOUT THE "-ENV" SUFFIX.

		DANIELS MANUFACTURING CORP. ORLANDO, FLORIDA CAGE 11851	
TITLE		ENVELOPE DRAWING SINGLE POSITION HEAD	
WHERE USED: M309		SIZE A	CAD P/N TP1400-ENV
SCALE NTS	POSTING	SHEET 1	OF 1
DWG. NO. TP1400-ENV		REV. 2	