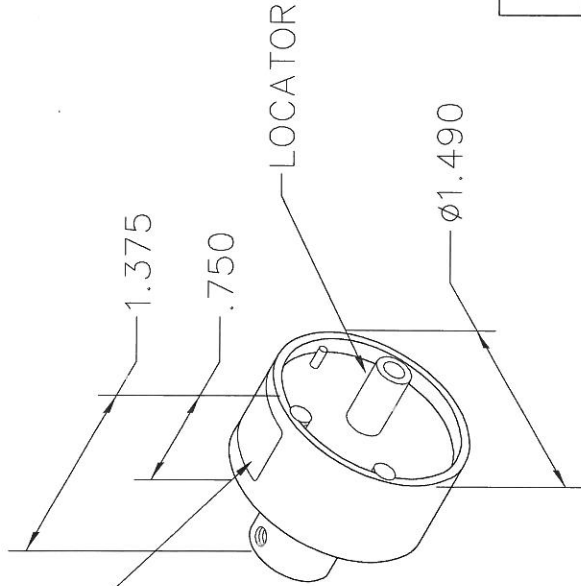


REVISIONS

REV. SYM.	E.C.O. NUMBER	DESCRIPTION	BY DATE	APP'D DATE
1		ORIGINAL RELEASE	AAM 1-25-02	RRR 1-25-02

DATAPLATE



**UNCONTROLLED DOCUMENT  
WILL NOT BE UPDATED**

**DIMENSIONS IN INCHES - UNLESS OTHERWISE SPECIFIED**

CONTACT	10	WIRE SIZE
RADIALL	6	SELECTOR
617-280		NUMBER
USE WITH WA27-300BT-EP		

DATAPLATE

LOCATOR	
HOLE DIMENSIONS	ADDITIONAL FEATURES
ø.185	└─┘ ø.281
└─┘ .676	└─┘ .46

**RESTRICTED & CONFIDENTIAL**

CONFIDENTIAL PROPERTY OF DANIELS MANUFACTURING CORP. NOT TO BE DISCLOSED TO OTHERS, REPRODUCED OR USED FOR ANY OTHER PURPOSE, EXCEPT AS AUTHORIZED IN WRITING BY DANIELS MANUFACTURING.

MUST BE RETURNED TO DANIELS MANUFACTURING CORP. ON COMPLETION OF ORDER OR OTHER PURPOSE FOR WHICH LENT.

**DO NOT SCALE DRAWING**

DRN. A. MOO-YOUNG	DATE 1-25-02
CHK'D. RRR	DATE 1-25-02
APP'D.	DATE
APP'D.	DATE

**NOTE:**  
THIS DRAWING IS AN OUTLINE DRAWING OF THE RESPECTIVE DMC PART NUMBER INDICATED. ACTUAL DMC PART NUMBER IS DRAWING NUMBER WITHOUT THE " -ENV" SUFFIX.

		DANIELS MANUFACTURING CORP. ORLANDO, FLORIDA CAGE 11851	
TITLE			
ENVELOPE DRAWING			
SINGLE POSITION HEAD			
WHERE USED: WA27-300BT-EP		SIZE	SHEET OF
A	NTS	CAD P/N	1
POSTING		TP1375-ENV	1
DWG. NO.		TP1375-ENV	REV.
			1