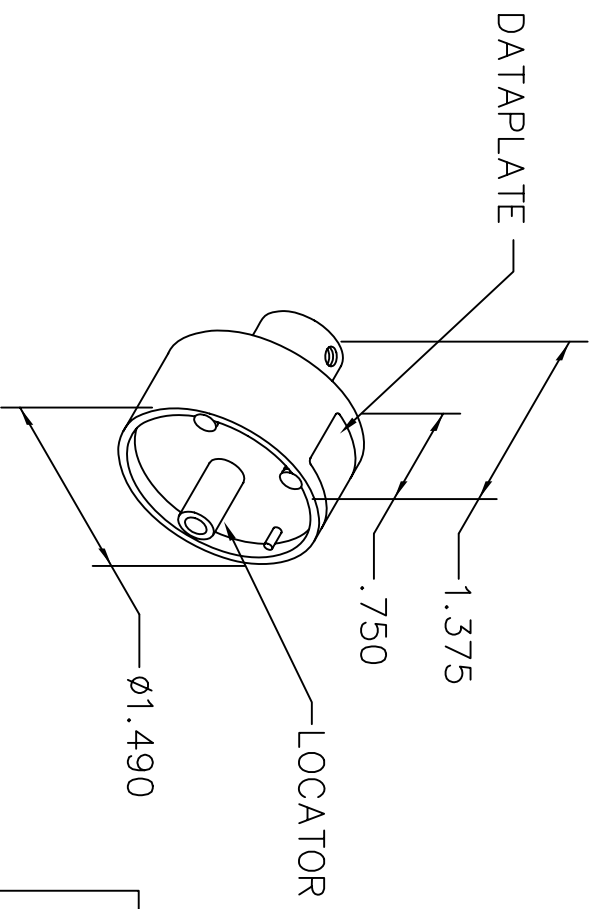


REVISIONS				
REV. SYM.	E.C.O. NUMBER	DESCRIPTION	BY DATE	APP'D DATE
1		ORIGINAL RELEASE	JWJ 3/17/05	RRR 3/17/05

**UNCONTROLLED DOCUMENT
WILL NOT BE UPDATED**



Einsatz fuer FCT-Hochstromcrimpkontakte
Positioner for FCT High Power Crimp Contacts
Einstellungen : Siehe Beiblatt
Settings : see accompanying sheet

DATAPLATE

LOCATOR	
HOLE DIMENSIONS	ADDITIONAL FEATURES
∅.191 ∇.574	┌┐∅.221 ∇.30

RESTRICTED & CONFIDENTIAL

CONFIDENTIAL PROPERTY OF DANIELS MANUFACTURING CORP. NOT TO BE DISCLOSED TO OTHERS, REPRODUCED OR USED FOR ANY OTHER PURPOSE, EXCEPT AS AUTHORIZED IN WRITING BY DANIELS MANUFACTURING. MUST BE RETURNED TO DANIELS MANUFACTURING CORP. ON COMPLETION OF ORDER OR OTHER PURPOSE FOR WHICH LENT.

DO NOT SCALE DRAWING

DRN.	J. JOYCE	DATE	12/19/05
CHK'D.	RRR	DATE	12/19/05
APP'D.		DATE	
APP'D.		DATE	

NOTE: THIS DRAWING IS AN OUTLINE DRAWING OF THE RESPECTIVE DMC PART NUMBER INDICATED. ACTUAL DMC PART NUMBER IS DRAWING NUMBER WITHOUT THE "-ENV" SUFFIX.

WHERE USED: M309			
SIZE	SCALE	CAD P/N	SHEET OF
A	NTS	TP1073-1-ENV	1 1
POSTING		DWG. NO.	REV.
		TP1073-1-ENV	1

DMC DANIELS MANUFACTURING CORP.
ORLANDO, FLORIDA
CAGE 11851

TITLE
SINGLE POSITION HEAD
ENVELOPE DRAWING