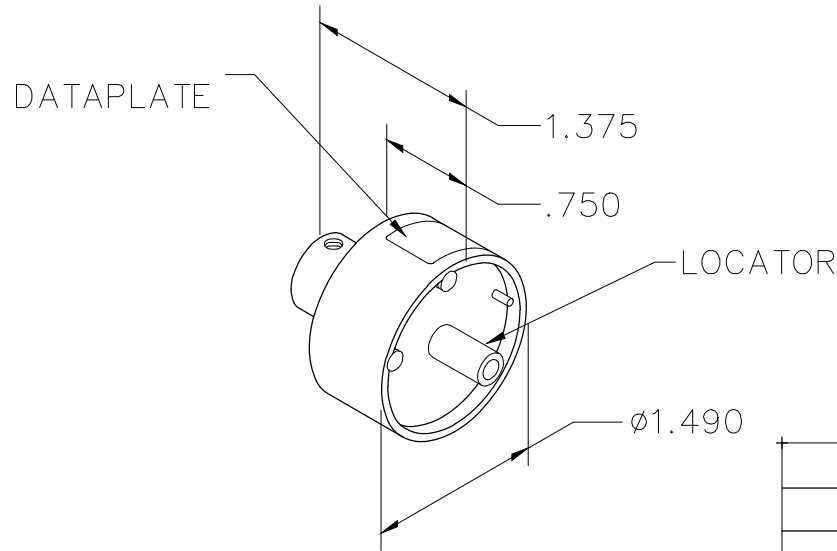


REVISIONS				
REV. SYM.	E.C.O. NUMBER	DESCRIPTION	BY DATE	APP'D DATE
1		ORIGINAL RELEASE	AAM 11-8-01	RRR 11-8-01
2	21800	DATAPLATE CHANGE	TD 6-30-10	



**UNCONTROLLED DOCUMENT
WILL NOT BE UPDATED**

FCT CONTACTS	FMP	20	18	16	14	12	10	8	WIRE
002S***, 002S***A		3	2	3					SEL NO M309 TOOL
035S***, 046S***		2	2	3					
003S***, 003S***A, 036S***, 124S***A					4	5			
049S***A, 052S***, 053S***, 053S***A 059S***, 060S***						6	7		
004S***, 004S***A, 037S***							6	7	

DATAPLATE

LOCATOR	
HOLE DIMENSIONS	ADDITIONAL FEATURES
ϕ .191 ∇ .644	ϕ .257 ∇ .41

RESTRICTED & CONFIDENTIAL		DANIELS MANUFACTURING CORP. ORLANDO, FLORIDA CAGE 11851			
CONFIDENTIAL PROPERTY OF DANIELS MANUFACTURING CORP. NOT TO BE DISCLOSED TO OTHERS, REPRODUCED OR USED FOR ANY OTHER PURPOSE, EXCEPT AS AUTHORIZED IN WRITING BY DANIELS MANUFACTURING. MUST BE RETURNED TO DANIELS MANUFACTURING CORP. ON COMPLETION OF ORDER OR OTHER PURPOSE FOR WHICH LENT.					
DRN. A. MOO-YOUNG	DATE 11-8-01	ENVELOPE DRAWING SINGLE POSITION HEAD WHERE USED: M309			
CHK'D. RRR	DATE 11-8-01				
APP'D.	DATE				
APP'D.	DATE				
NOTE: THIS DRAWING IS AN OUTLINE DRAWING OF THE RESPECTIVE DMC PART NUMBER INDICATED. ACTUAL DMC PART NUMBER IS DRAWING NUMBER WITHOUT THE "-ENV" SUFFIX.		SIZE A	SCALE NTS	CAD P/N TP1072-ENV	SHEET 1 OF 1
DO NOT SCALE DRAWING		POSTING	DWG. NO. TP1072-ENV	REV. 2	