

DMC THQAP163-2

CONTACTS

M39029/56-352, 57-358,

M39029/58-364

WIRE	20	18	16
SEL	4	5	6

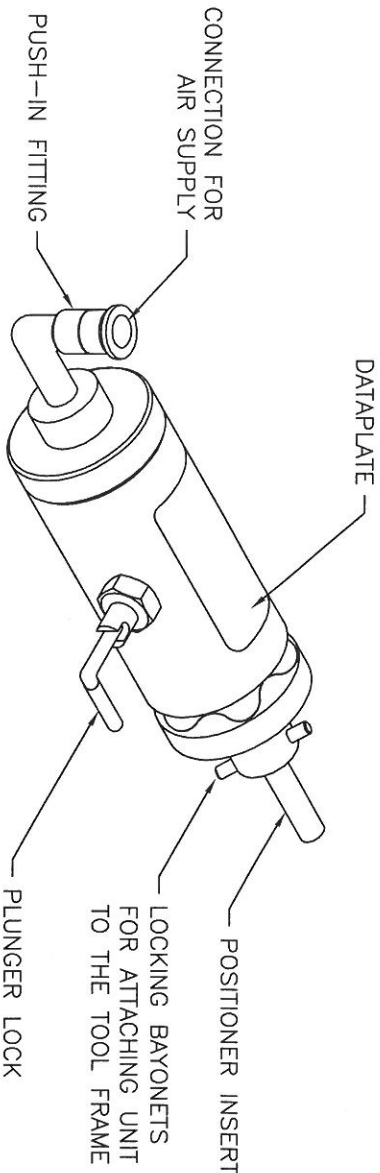
USE WITH WA27FQA AUTOMATIC POSITIONER ASSEMBLY

DATAPLATE

POSITIONER INSERT	
HOLE DIMENSIONS	ADDITIONAL FEATURES
∅.116 ∓.700	└┘ ∅.136 ∓.047

REVISIONS			
REV. SYM.	E.C.O. NUMBER	DESCRIPTION	BY DATE
1		ORIGINAL RELEASE	RRR 7-11-01

**UNCONTROLLED DOCUMENT
WILL NOT BE UPDATED**
DIMENSIONS IN INCHES - UNLESS OTHERWISE SPECIFIED



NOTES:

1. THIS UNIT IS DESIGNED FOR USE WITH A WA27F(SS)QA, OR THE STANDARD PNEUMATIC TOOL, WA27F, THAT IS ASSEMBLED TO AN APMD UNIT.
2. THE POSITIONER RETAINER RING OF THE TOOL FRAME MUST BE REPLACED BY THE POSITIONER GUIDE, AP27-103, IN ORDER TO ASSEMBLE THE UNIT TO THE TOOL.

RESTRICTED & CONFIDENTIAL
CONFIDENTIAL PROPERTY OF DANIELS MANUFACTURING CORP. NOT TO BE REPRODUCED OR USED FOR ANY OTHER PURPOSE EXCEPT AS AUTHORIZED IN WRITING BY DANIELS MANUFACTURING. MUST BE RETURNED TO DANIELS MANUFACTURING CORP. ON COMPLETION OF ORDER OR OTHER PURPOSE FOR WHICH LENT.

DO NOT SCALE DRAWING

ITEM	PART NO.	QTY.	DESCRIPTION/REMARKS
DRN. A. MOO-YOUNG	DATE 7-11-01		
CHK'D. RRR	DATE 7-11-01		
APP'D.	DATE		
APP'D.	DATE		

NOTE: THIS DRAWING IS AN OUTLINE DRAWING OF THE RESPECTIVE DMC PART NUMBER INDICATED. ACTUAL DMC PART NUMBER IS DRAWING NUMBER WITHOUT THE -ENV SUFFIX.

WHERE USED: WA27F(SS)QA

SIZE SCALE: B NTS

POSTING: CAD P/N THQAP163-2-ENV

DMG. NO. THQAP163-2-ENV

SHEET 1 OF 1

REV. 1

QUICK ATTACHMENT MODULE

DMC DANIELS MANUFACTURING CORP.
ORLANDO, FLORIDA
CASE 11851