

DANIELS THQAP1-5

SIZE 12-16, 12-12
 M39029/1, /4,/5,/29,/30,
 /31,/32,/34,/35,/36,/44,/45

WIRE	20	18	16	14	12
SEL	4	5	6	7	8

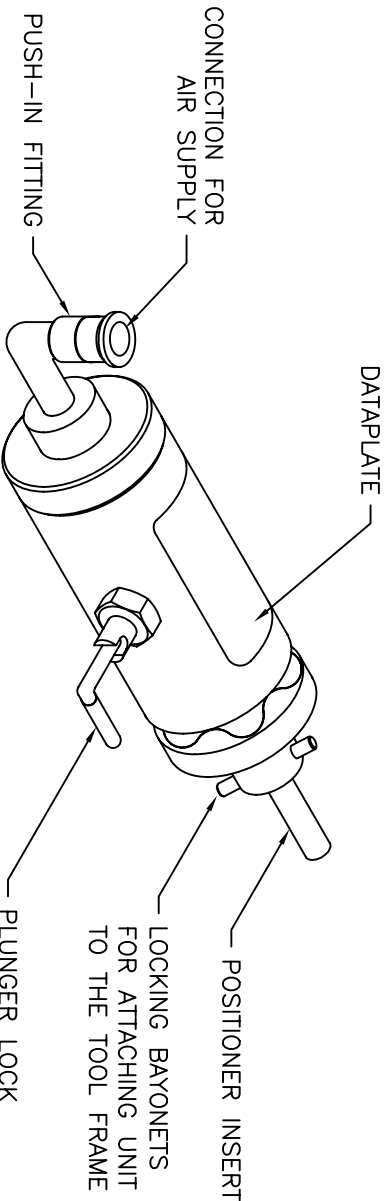
USE WITH WA27F(SS)QA AUTOMATIC
 POSITIONER ASSEMBLY

DATAPLATE

POSITIONER INSERT	
HOLE DIMENSIONS	ADDITIONAL FEATURES
∅.173	
∇.95	

REVISIONS				
REV. SYM.	E.C.O. NUMBER	DESCRIPTION	BY DATE	APP'D DATE
1		ORIGINAL RELEASE	RRR 7-11-01	RRR 7-11-01

**UNCONTROLLED DOCUMENT
 WILL NOT BE UPDATED**



- NOTES:
1. THIS UNIT IS DESIGNED FOR USE WITH A WA27F(SS)QA, OR THE STANDARD PNEUMATIC TOOL, WA27F, THAT IS ASSEMBLED TO AN APMOD UNIT.
 2. THE POSITIONER RETAINER RING OF THE TOOL FRAME MUST BE REPLACED BY THE POSITIONER GUIDE, AP27-103, IN ORDER TO ASSEMBLE THE UNIT TO THE TOOL.

RESTRICTED & CONFIDENTIAL		CONFIDENTIAL PROPERTY OF DANIELS MANUFACTURING CORP. NOT TO BE DISCLOSED TO OTHERS, REPRODUCED OR USED FOR ANY OTHER PURPOSE, EXCEPT AS AUTHORIZED IN WRITING BY DANIELS MANUFACTURING CORP. ON COMPLETION OF ORDER OR OTHER PURPOSE FOR WHICH INT.	
ITEM	PART NO.	QTY.	DESCRIPTION/REMARKS
DRN. A. MOO-YOUNG	DATE 7-11-01		
CHK'D. RRR	DATE 7-11-01		
APP'D.	DATE		
APP'D.	DATE		
NOTE: THIS DRAWING IS AN OUTLINE DRAWING OF THE RESPECTIVE INDICATED ACTUAL PART NUMBER IS DRAWING NUMBER WITHOUT THE "-ENV" SUFFIX.			
DO NOT SCALE DRAWING		WHERE USED: WA27F(SS)QA	
TITLE		SCALE	CAD P/N
QUICK ATTACHMENT MODULE		B NTS	THQAP1-5-ENV
DANIELS MANUFACTURING CORP. ORLANDO, FLORIDA CAGE 11851		SHEET	REV.
		1	1
		THQAP1-5-ENV	1