

DANIELS THQAP1-4

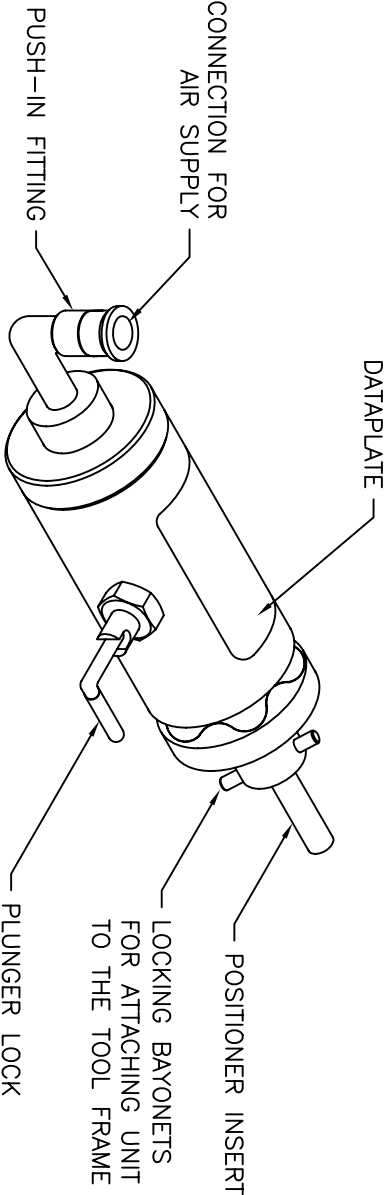
SIZE 20-20 CONTACTS				
M39029/2, /3, /4, /5, /9, /10, /11, /12, /31, /32				
WIRE SIZE	26	24	22	20
SEL. NO.	1	2	3	4
USE WITH WA27F(SS)QA AUTOMATIC POSITIONER ASSEMBLY				

DATAPLATE

POSITIONER INSERT	
HOLE DIMENSIONS	ADDITIONAL FEATURES
∅.081 ±.80	

REVISIONS			
REV. SYM.	E.C.O. NUMBER	DESCRIPTION	BY DATE
1		ORIGINAL RELEASE	RRR 7-11-01

**UNCONTROLLED DOCUMENT
WILL NOT BE UPDATED**



- NOTES:
1. THIS UNIT IS DESIGNED FOR USE WITH A WA27F(SS)QA, OR THE STANDARD PNEUMATIC TOOL, WA27F, THAT IS ASSEMBLED TO AN APMOD UNIT.
 2. THE POSITIONER RETAINER RING OF THE TOOL FRAME MUST BE REPLACED BY THE POSITIONER GUIDE, AP27-103, IN ORDER TO ASSEMBLE THE UNIT TO THE TOOL.

RESTRICTED & CONFIDENTIAL		CONFIDENTIAL PROPERTY OF DANIELS MANUFACTURING CORP. NOT TO BE DISCLOSED TO OTHERS, REPRODUCED OR USED FOR ANY OTHER PURPOSE, EXCEPT AS AUTHORIZED IN WRITING BY DANIELS MANUFACTURING CORP. ON COMPLETION OF ORDER OR OTHER PURPOSE FOR WHICH INT.	
ITEM	PART NO.	QTY.	DESCRIPTION/REMARKS
DRN. A.	M00-YOUNG		DATE 7-11-01
CHK'D.	RRR		DATE 7-11-01
APP'D.			DATE
APP'D.			DATE
NOTE: THIS DRAWING IS AN OUTLINE DRAWING OF THE RESPECTIVE INDICATED PART NUMBER AND PART NUMBER IS DRAWING NUMBER WITHOUT THE "-ENV" SUFFIX.			
DO NOT SCALE DRAWING		WHERE USED: WA27F(SS)QA	
TITLE		SCALE	CAD P/N
QUICK ATTACHMENT MODULE		NTS	THQAP1-4-ENV
SHEET 1 OF 1		POSTING	DMG. NO. THQAP1-4-ENV
REV. 1		REV. 1	

DANIELS MANUFACTURING CORP.
ORLANDO, FLORIDA
CAGE 11851