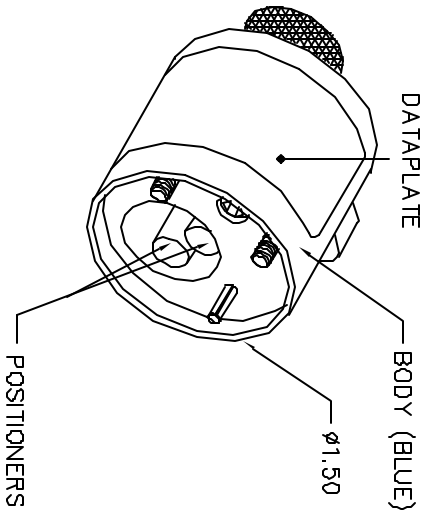


REV'S		DESCRIPTION		DT	AP'D
NO.	DATE	BY	DATE	DATE	DATE
1			ORIGINAL RELEASE	2/28/91	2/91

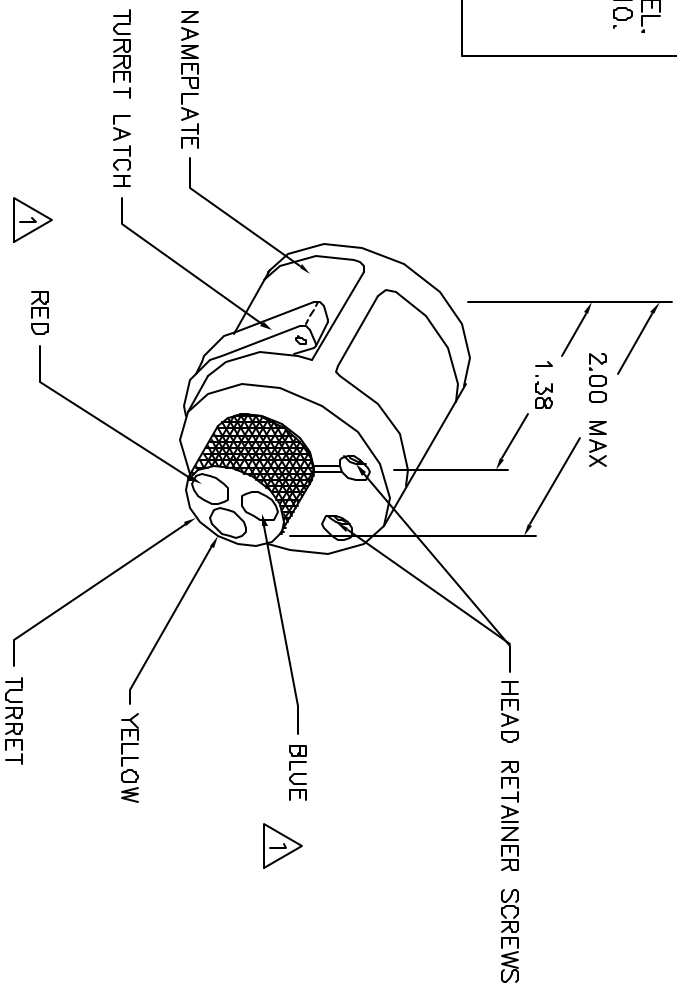
**UNCONTROLLED DOCUMENT  
WILL NOT BE UPDATED**

CONTACTS LITTON VEAM	COLOR CODE	22	20	18	16	WIRE SIZE
45470	RED	4	5			SEL. NO.
46740S			4	5		
46740S-15	BLUE	5	5			
45473				6	7	
45453				6	7	
45450	YELLOW	4	4			
46740P			4	4		
46740P-15		5	5			



POSITIONER COLOR	HOLE DIMENSIONS	ADDITIONAL FEATURES
RED	$\phi .082$ $\pm .985$	$\sqcup \phi .096$ $\pm .890$
YELLOW	$\phi .067$ $\pm 1.10$	$\sqcup \phi .128$ $\pm .521$
BLUE	$\phi .136$ $\pm .985$	

HOLE AND COUNTERBORE DEPTHS ARE MEASURED FROM TOP OF POSITIONER INSERTS.



⚠️ RANDOM ORDER OF ROTATION IS ACCEPTABLE.

**RESTRICTED & CONFIDENTIAL**  
 CONFIDENTIAL PROPERTY OF DANIELS MANUFACTURING CORP. NOT TO BE REPRODUCED OR TRANSMITTED IN ANY FORM OR BY ANY MEANS, ELECTRONIC OR MECHANICAL, INCLUDING PHOTOCOPYING, RECORDING, OR BY ANY INFORMATION STORAGE AND RETRIEVAL SYSTEM, WITHOUT PERMISSION IN WRITING BY DANIELS MANUFACTURING. MUST BE RETURNED TO DANIELS MANUFACTURING CORP. ON COMPLETION OF ORDER OR OTHER PURPOSE FOR WHICH LENT.

DO NOT SCALE DRAWING

ITEM	PART NO.	QTY.	DESCRIPTION/REMARKS
DRN	LW	DATE	DATE
CHK'D	PD	DATE	DATE
APP'D	AMM	DATE	DATE
APP'D		DATE	DATE

NOTE: THIS DRAWING IS AN OUTLINE DRAWING OF THE RESPECTIVE PART NUMBER. DIMENSIONS INDICATED ARE APPROXIMATE. PART NUMBER IS DRAWING NUMBER WITHOUT THE "-ENV" SUFFIX.

WHERE USED AFB

SIZE	SCALE	TAAD P/N	SHEET	OF
B	NTS	TH485-ENV	1	1

DANIELS MANUFACTURING CORP.  
 ORLANDO, FLORIDA  
 GAGE 11851

TURRET HEAD  
 ENVELOPE DRAWING

DMG NO. TH485-ENV