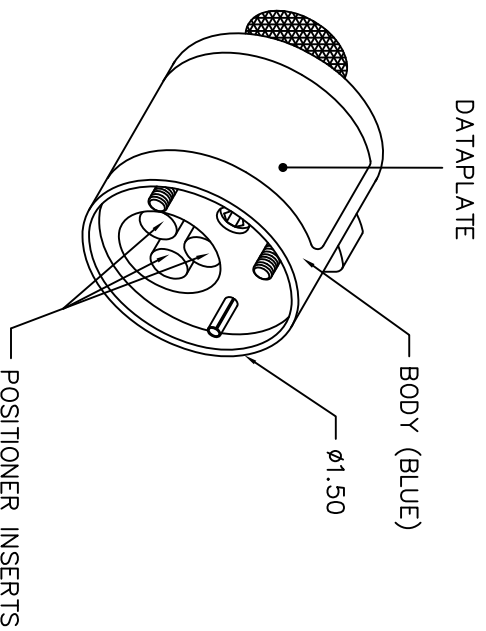
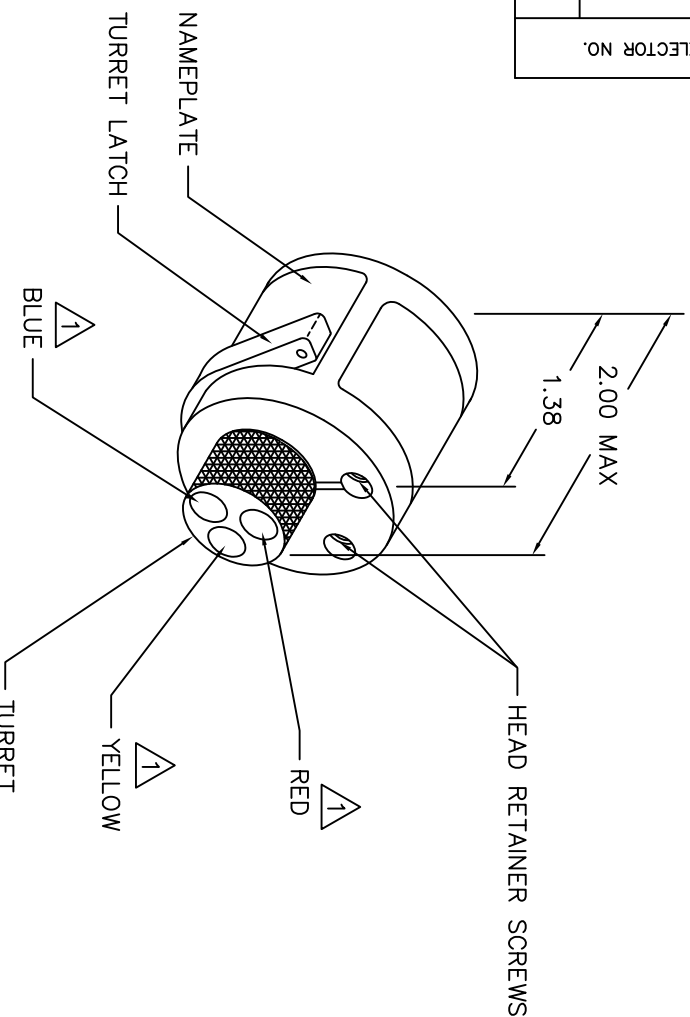


CONTACTS	COLOR CODE	28	26	24	22	20	18	16	14	12	RG178/U RG196/U	WIRE SIZE
HUGHES												
C21P1624 **	C21S1624 **	1	2	3								SELECTOR NO.
C21P1620 **	C21S1620 **			3	4	5						
C21P1616 **	C21S1616 **				5	6	7					
M39029/16-12-12	M39029/18-12-12	BLUE								6	7	
M518232 M518233	OUTER PIN & SOCKET	YELLOW										7



POSITIONER COLOR	HOLE DIMENSIONS	ADDITIONAL FEATURES
BLUE	Ø.098 ±.435	□ Ø.171 ±.415
YELLOW	Ø.109 ±.580	□ Ø.136 ±.275
RED	Ø.078 ±.736	□ Ø.125 ±.711

HOLE AND COUNTERBORE DEPTHS ARE MEASURED FROM TOP OF POSITIONER INSERTS.



▲ RANDOM ORDER OF ROTATION IS ACCEPTABLE.

**UNCONTROLLED DOCUMENT
WILL NOT BE UPDATED**

REV.	E.C.O. NUMBER	DESCRIPTION	BY DATE	APP'D DATE
1		ORIGINAL RELEASE	JHM 4/3/07	RRR 4/3/07

RESTRICTED & CONFIDENTIAL
 CONFIDENTIAL PROPERTY OF DANIELS MANUFACTURING CORP. NOT TO BE DISCLOSED TO OTHERS, REPRODUCED OR USED FOR ANY OTHER PURPOSE, EXCEPT AS AUTHORIZED IN WRITING BY DANIELS MANUFACTURING. MUST BE RETURNED TO DANIELS MANUFACTURING OR DESTROYED BY OTHER PURPOSE FOR WHICH LENT.

DO NOT SCALE DRAWING

ITEM	PART NO.	QTY.	DESCRIPTION/REMARKS
DRN. J. JOYCE	DATE 4/5/07		
CHK'D. RRR	DATE 4/5/07		
APP'D.	DATE		
APP'D.	DATE		
NOTE: THIS DRAWING IS AN OUTLINE DRAWING OF THE RESPECTIVE INDICATED PART NUMBER. PART NUMBER IS DRAWING NUMBER WITHOUT THE "-ENV" SUFFIX. WHERE USED: AFB Daniel's Manufacturing Corp. DANIELS MANUFACTURING CORP. ORLANDO, FLORIDA CASE 11851 TITLE: TURRET HEAD ENVELOPE DRAWING SHEET 1 OF 1 REV. 1			