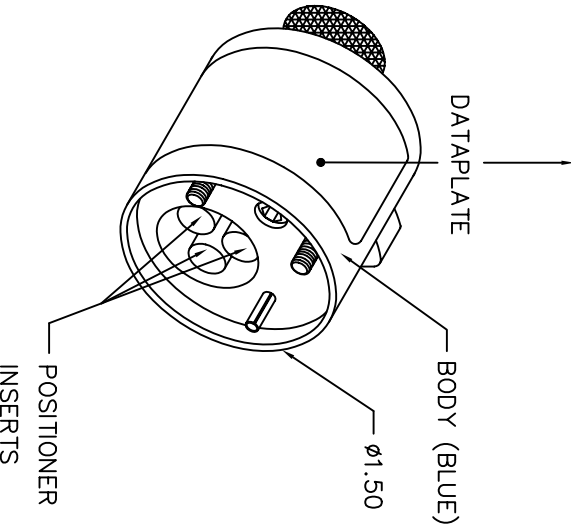
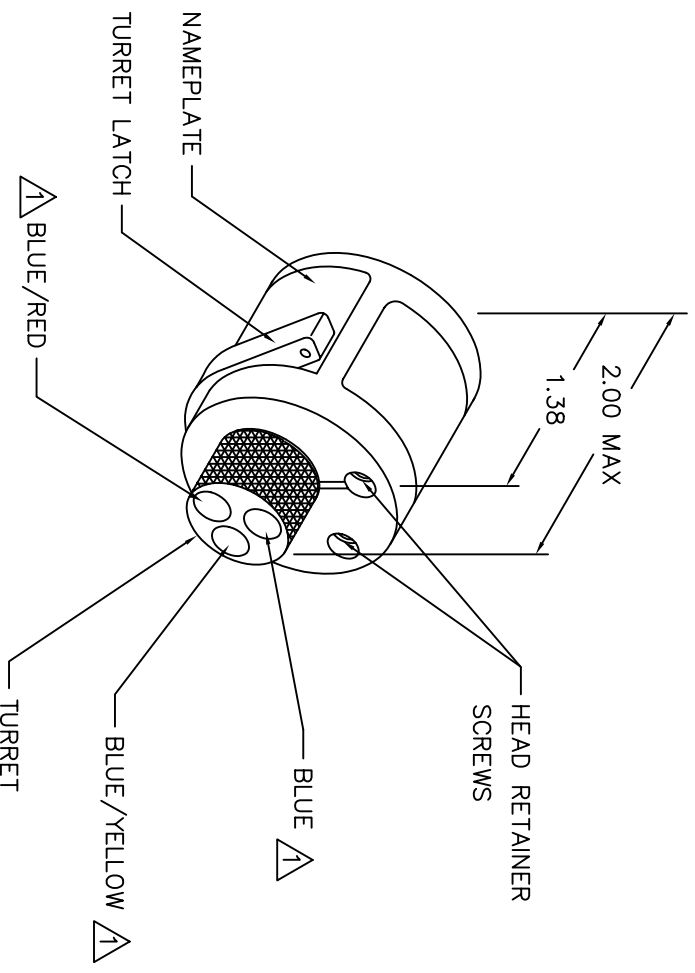


DANIELS MFG. CORP. TURRET CAT. No. TH449			
CANNON CONTACTS	PANAVIA	COLOR CODE	
030-7879-000	6434 PA	BLUE / RED	
030-7880-000	6434 PB	BLUE / RED	
031-7661-000	6434 SD	BLUE / YELLOW	
031-7663-000	6434 SF	BLUE / YELLOW	
031-7662-000	6434 SE	BLUE	
031-7664-000	6434 SG	BLUE	



POSITIONER COLOR	HOLE DIA.	REMARKS
BLUE/RED	$\phi .067$ $\pm .85$	$\square \phi .140$ $\pm .054$
BLUE / YELLOW	$\phi .116$ $\pm .85$	$\square \phi .140$ $\pm .189$
BLUE	$\phi .116$ $\pm .85$	$\square \phi .140$ $\pm .054$

1. RANDOM ORDER OF ROTATION IS ACCEPTABLE.



REV. STYL.	E.C.O. NUMBER	DESCRIPTION	BY DATE	APP'D DATE
1		ORIGINAL RELEASE	JS 6-4-90	GV 6-30

UNCONTROLLED DOCUMENT
WILL NOT BE UPDATED

RESTRICTED & CONFIDENTIAL
CONFIDENTIAL PROPERTY OF DANIELS MANUFACTURING CORP. NOT TO BE DISCLOSED TO OTHERS, REPRODUCED OR USED FOR ANY OTHER PURPOSE, EXCEPT AS AUTHORIZED IN WRITING BY DANIELS MANUFACTURING CORP. MUST BE RETURNED TO DANIELS MANUFACTURING CORP. ON COMPLETION OF ORDER OR OTHER PURPOSE FOR WHICH LENT.

ITEM	PART NO.	QTY.	DESCRIPTION/REMARKS
DRN. JS	6-4-90		DANIELS MANUFACTURING CORP. ORLANDO, FLORIDA CASE 11851
CHK'D. LV	6-4-90		
APP'D. AAM	6-4-90		ENVELOPE DRAWING TURRET HEAD

NOTE: THIS DRAWING IS AN OUTLINE DRAWING OF THE RESPECTIVE DMC PART NUMBER INDICATED. ACTUAL DMC PART NUMBER IS DRAWING NUMBER WITHOUT THE "-ENV" SUFFIX.

WHERE USED: AFB

SIZE SCALE: B NTS
POSTING: TH449-ENV
DWG. NO.: TH449-ENV

DO NOT SCALE DRAWING

NOTES: