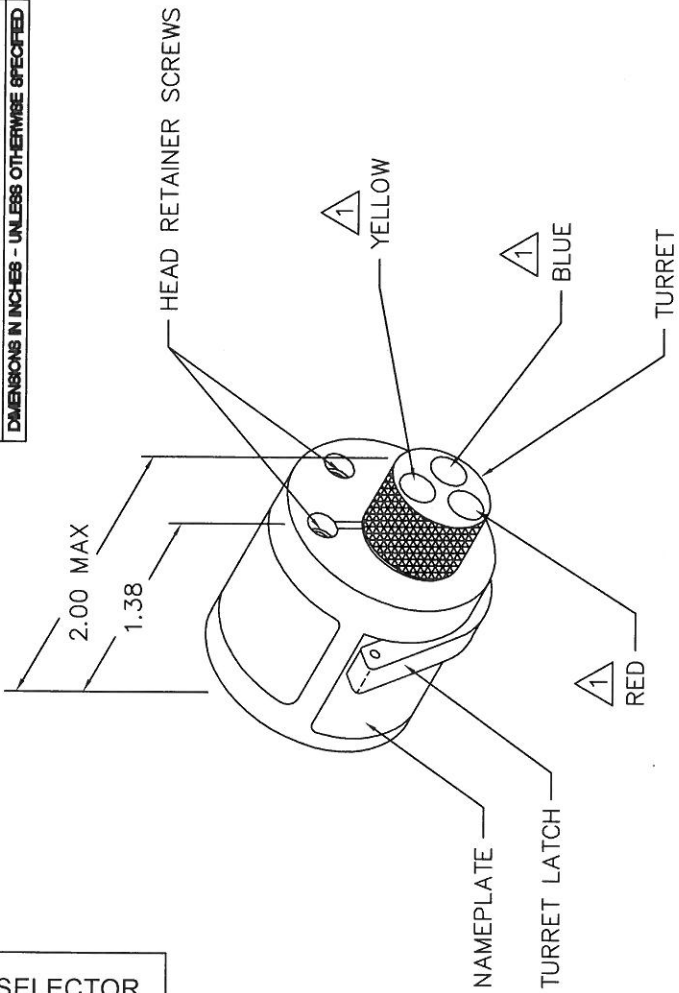


REVISIONS

REV. SYM.	E.C.O. NUMBER	DESCRIPTION	BY DATE	APP'D DATE
1		ORIGINAL RELEASE	JWJ 10/11/05	RRR 10/11/05
2	22803	DATAPLATE CHANGE	ID 2-7-13	

**UNCONTROLLED DOCUMENT
WILL NOT BE UPDATED**
DIMENSIONS IN INCHES - UNLESS OTHERWISE SPECIFIED

MFR.	CONTACT #	COLOR CODE	WIRE SIZE
DEUTSCH	112349 (P)	YELLOW	12
	112352 (S)		8
			SELECTOR NO.



△ RANDOM ORDER OF ROTATION IS ACCEPTABLE.

POSITIONER COLOR	HOLE DIMENSIONS	ADDITIONAL FEATURES
RED	∅.129 ∓.120	∅.070 SLOT ∓.390
BLUE	∅.168 ∓.128	∅.070 SLOT ∓.390
YELLOW	∅.172 ∓.84 MIN.	LJ ∅.209 ∓.055

HOLE AND COUNTERBORE DEPTHS ARE MEASURED FROM TOP OF POSITIONER INSERTS.

RESTRICTED & CONFIDENTIAL
CONFIDENTIAL PROPERTY OF DANIELS MANUFACTURING CORP. NOT TO BE DISCLOSED TO OTHERS, REPRODUCED OR USED FOR ANY OTHER PURPOSE, EXCEPT AS AUTHORIZED IN WRITING BY DANIELS MANUFACTURING. MUST BE RETURNED TO DANIELS MANUFACTURING CORP. ON COMPLETION OF ORDER. OTHER PURPOSE FOR WHICH LENT:

DO NOT SCALE DRAWING

ITEM DWR.	DATE	PART NO.	QTY.	DESCRIPTION/REMARKS
J. JOYCE	10/11/05			DANIELS MANUFACTURING CORP. ORLANDO, FLORIDA CAGE 11851
RRR	10/11/05			TURRET HEAD ENVELOPE DRAWING
APPD.				
APPD.				
THIS DRAWING IS AN OUTLINE DRAWING. PART NUMBER INDICATED. ACTUAL DMC PART NUMBER IS DRAWING NUMBER WITHOUT THE "-ENV" SUFFIX.				
WHERE USED: AFB		CAD P/N	SCALE	SHEET OF
		TH404S-ENV	B NTS	1 1
DWG. NO. TH404S-ENV			POSTING	REV. 2