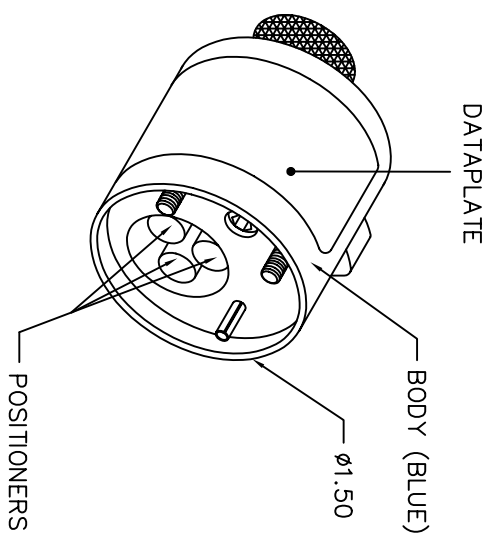


REVISIONS				
REV.	E.C.O. NUMBER	DESCRIPTION	BY DATE	APP'D DATE
1		ORIGINAL RELEASE	RAM 4-4-00	RRR 4-4-00

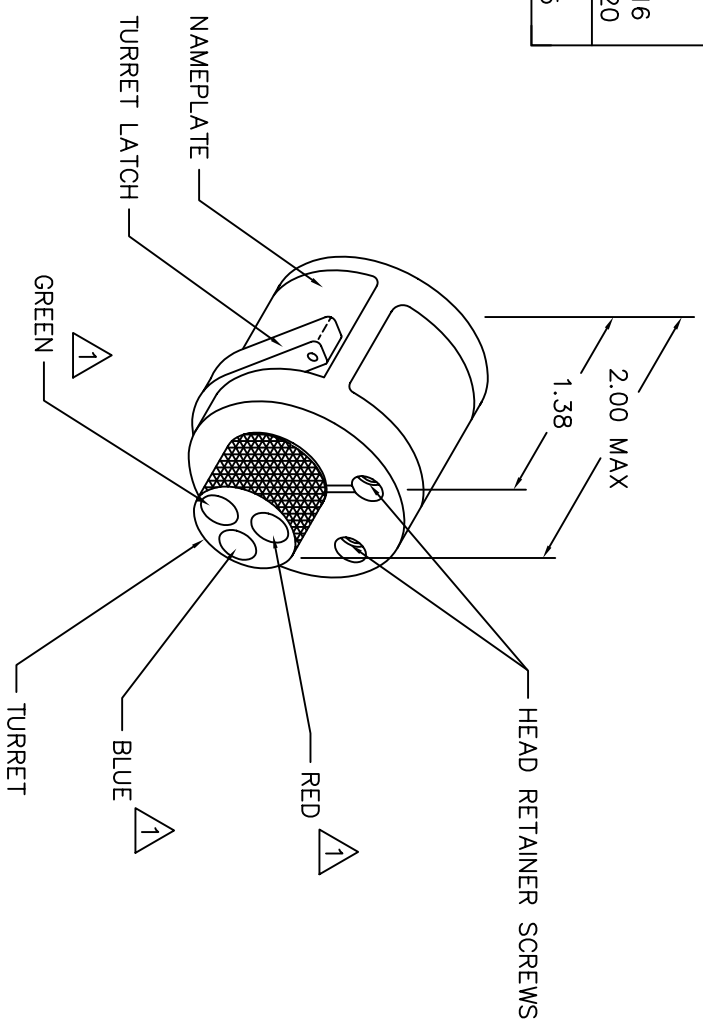
**UNCONTROLLED DOCUMENT
WILL NOT BE UPDATED**

TH348	PLESSEY	MK22	POSITIONERS	
AWG	16 - 20	16 - 16	15	RED GREEN
16		6	6	PIN SKT
18			5	KS KB
20				16-16 16-16
22				16-20 16-20
24				BLUE K.S. K.B.15



POSITIONER COLOR	* HOLE DIMENSIONS	ADDITIONAL FEATURES
GREEN	\varnothing 1.125 \pm 1.224	
RED	\varnothing 0.070 \pm 1.012	\sqsubset \varnothing 1.125 \pm .800
BLUE	\varnothing 1.125 \pm .810 MIN.	\sqsubset \varnothing 1.156 \pm .055

* HOLE DEPTH DIMENSIONS ARE MEASURED FROM THE TOP OF THE POSITIONER INSERTS.



1 RANDOM ORDER OF ROTATION IS ACCEPTABLE.

RESTRICTED & CONFIDENTIAL		COMPENETIAL PROPERTY OF DANIELS MANUFACTURING CORP. NOT TO BE DISCLOSED TO OTHERS, REPRODUCED OR USED FOR ANY OTHER PURPOSE, EXCEPT AS AUTHORIZED IN WRITING BY DANIELS MANUFACTURING. MUST BE RETURNED TO DANIELS MANUFACTURING CORP. ON COMPLETION OF ORDER OR OTHER PURPOSE FOR WHICH SENT.	
ITEM	PART NO.	QTY.	DESCRIPTION/REMARKS
DRN. A. MOO-YOUNG	DATE 4-4-00		DANIELS MANUFACTURING CORP. ORLANDO, FLORIDA CAGE 11851
CHK'D. RRR	DATE 4-4-00		
APP'D.	DATE		
NOTE:	THIS DRAWING IS AN OUTLINE DRAWING OF THE RESPECTIVE DIMS PART NUMBER INDICATED. SEE DIMS PART NUMBER WITHOUT THE "ENV" SUFFIX.		
DO NOT SCALE DRAWING	WHERE USED: AFB		
TITLE		ENVELOPE DRAWING TURRET HEAD	
SCALE	CAD P/N	SHEET	OF
B NTS	TH348-ENV	1	1
POSTING	DWG. NO.	TH348-ENV	REV. 1