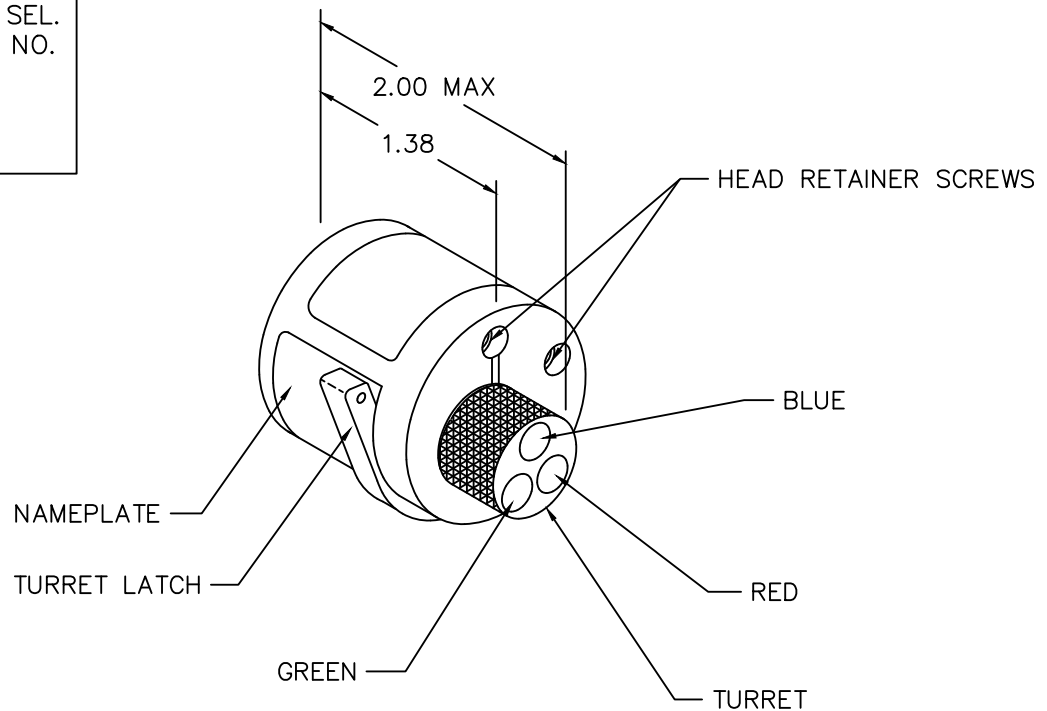
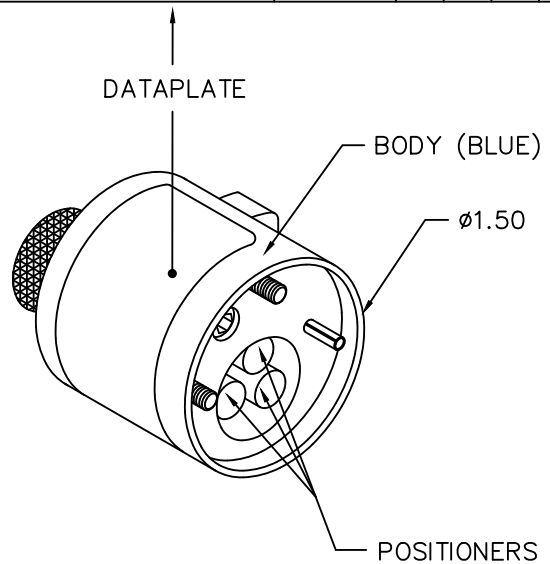


REVISIONS				
REV. SYM.	E.C.O. NUMBER	DESCRIPTION	BY DATE	APP'D DATE
1		ORIGINAL RELEASE	DH 10-8-87	JS 10-8-87

**UNCONTROLLED DOCUMENT
WILL NOT BE UPDATED**

BENDIX CONTACTS	COLOR CODE	20	18	16	14	12	WIRE SIZE
10-40552,3,4,5; 10-113474-15P&S; 10-113239-15P&S	RED	4	5	6			SEL. NO.
10-113474-16P; 10-113239-16P; 10-40557,9	BLUE	4	5	6			
10-40556,8; 10-113474-16S; 10-113239-16S	GREEN	4	5	6			
10-113474-12P&S; 10-40560,1; 10-113239-12P&S					8	8	



POSITIONER COLOR	* HOLE DIMENSIONS	ADDITIONAL FEATURES
RED	Ø.136 ↕.560	/
BLUE	Ø.136 ↕.760	/
GREEN	Ø.203 ↕.950	/

* HOLE DEPTH DIMENSIONS ARE TAKEN FROM THE TOP OF THE POSITIONER INSERTS.

RESTRICTED & CONFIDENTIAL		ITEM	PART NO.	QTY.	DESCRIPTION/REMARKS
CONFIDENTIAL PROPERTY OF DANIELS MANUFACTURING CORP. NOT TO BE DISCLOSED TO OTHERS, REPRODUCED OR USED FOR ANY OTHER PURPOSE, EXCEPT AS AUTHORIZED IN WRITING BY DANIELS MANUFACTURING. MUST BE RETURNED TO DANIELS MANUFACTURING CORP. ON COMPLETION OF ORDER OR OTHER PURPOSE FOR WHICH LENT.		DRN.	DH	DATE	DANIELS MANUFACTURING CORP. ORLANDO, FLORIDA CAGE 11851
		CHK'D.	JS	DATE	
		APP'D.	AM	DATE	
		APP'D.		DATE	
DO NOT SCALE DRAWING		NOTE: THIS DRAWING IS AN OUTLINE DRAWING OF THE RESPECTIVE DMC PART NUMBER INDICATED. ACTUAL DMC PART NUMBER IS DRAWING NUMBER WITHOUT THE "-ENV" SUFFIX.		TITLE ENVELOPE DRAWING TURRET HEAD	
		SIZE	SCALE	CAD P/N	SHEET
		B	NTS	TH29-1-ENV	1
		POSTING	DWG. NO.	TH29-1-ENV	REV.
					1