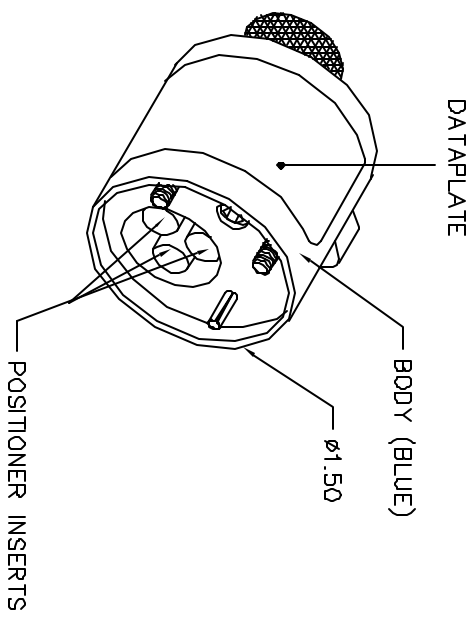
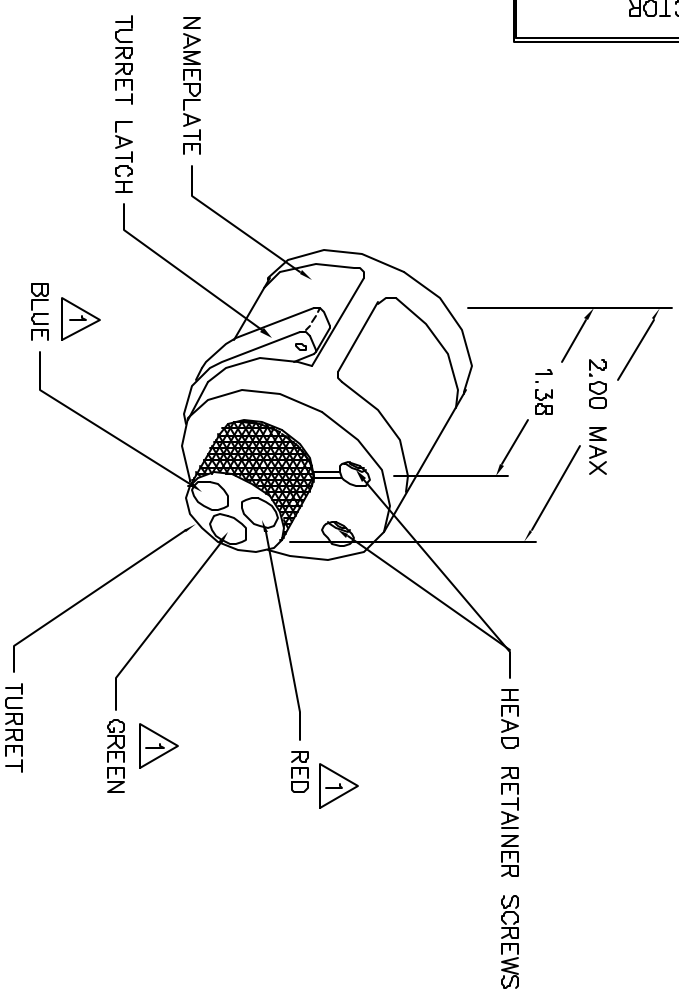


CANNON CONTACT	COLOR CODE	24	22	20	18	(2) 22	16	12	WIRE SIZE
030-1954-000	GREEN				2	2			
030-1955-000	GREEN								
030-1952-000	BLUE	1	2	3					
030-1953-000	BLUE								
030-2061-000	RED						7		
030-2063-000	RED								
030-2060-000	RED								
030-2062-000	RED								8



POSITIONER COLOR	* HOLE DIMENSIONS	ADDITIONAL FEATURES
GREEN	$\phi .067$ $\pm .84$ MIN.	$\perp \phi .089$ $\pm .369$
BLUE	$\phi .067$ $\pm .84$ MIN.	$\perp \phi .093$ $\pm .055$
RED	$\phi .185$ $\pm .84$ MIN.	$\perp \phi .208$ $\pm .090$

* HOLE AND COUNTERBORE DEPTHS ARE MEASURED FROM TOP OF POSITIONER INSERTS.



1 RANDOM ORDER OF ROTATION IS ACCEPTABLE.

**UNCONTROLLED DOCUMENT
WILL NOT BE UPDATED**

REVISIONS			
REV. NO.	DESCRIPTION	BY	DATE
2	REDRAWN	RAM	6-26-00

RESTRICTED & CONFIDENTIAL		CONFIDENTIAL PROPERTY OF DANIELS REPRODUCED BY OTHERS IS PROHIBITED EXCEPT AS AUTHORIZED IN WRITING BY DANIELS MANUFACTURING MANUFACTURING STOP ON COMPLETION OF ORDER OR OTHER PURPOSE FOR WHICH INT.	
ITEM NO.	PART NO.	QTY.	DESCRIPTION/REMARKS
DATE	DATE		
12-17-88	12-17-88		
BY	DATE		
JMS	12-17-88		
APPROV.	DATE		
AMM	12-17-88		
APPROV.	DATE		
TITLE		DANIELS MANUFACTURING CORP. ORLANDO, FLORIDA CASE 17851	
ENVELOPE DRAWING			
TURRET HEAD			
SIZE	SCALE	TAOS P/M	SHEET 1 OF 1
B	NTS	TH185-ENV	
POSTING		P/M	TH185-ENV
			REV 2

DO NOT SCALE DRAWING