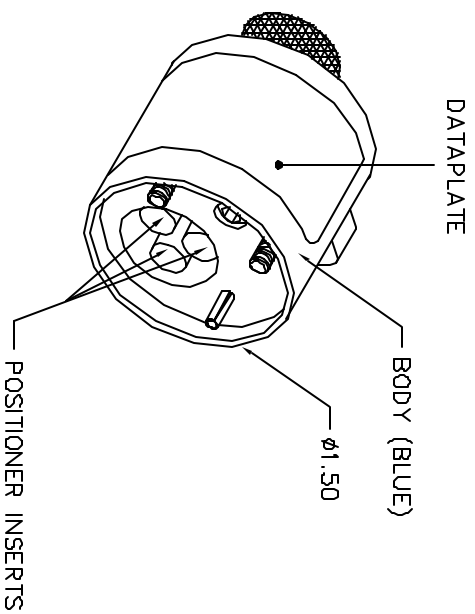
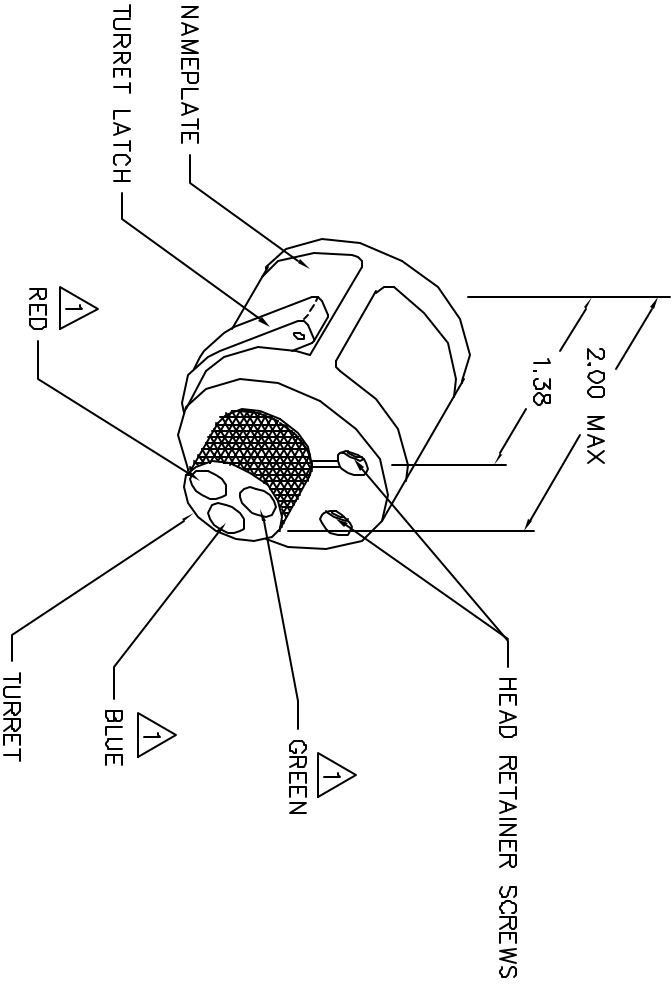


CONTACT	COLOR CODE	26	24	22	20	18	16	WIRE SIZE		
NATIONAL 20235 540362	RED	6	7	8	8			SELECTOR		
VIKING 019-0075-000 019-0104-000	BLUE		4	5	6					
BENDIX 10-330930-202 10-330931-202 10-330932-162 10-330933-162	GREEN					2	4		5	5



POSITIONER COLOR	HOLE DIMENSIONS	ADDITIONAL FEATURES
RED	φ.128 ±.84 MIN.	φ.052 SLOT ±.082
BLUE	φ.086 ±.315	φ.116 φ.695 φ.156
GREEN	φ.062 ±.755	φ.080

HOLE AND COUNTERBORE DEPTHS ARE MEASURED FROM TOP OF POSITIONER INSERTS.



1 RANDOM ORDER OF ROTATION IS ACCEPTABLE.

**UNCONTROLLED DOCUMENT
WILL NOT BE UPDATED**

REV. NO.		E.C.D. NUMBER		DESCRIPTION		BY	DATE	APP'D	DATE
1				ORIGINAL RELEASE		JML	12/15/04	RSR	12/16/04

ITEM	PART NO.	QTY.	DESCRIPTION/REMARKS
DRW. J. JOYCE	DATE 12/16/04		
DRWS. RRR	DATE 12/16/04		
APRDS.	DATE		
APRDS.	DATE		

RESTRICTED & CONFIDENTIAL

CONFIDENTIAL PROPERTY OF DANIELS MANUFACTURING CORP. NOT TO BE DISCLOSED TO OTHERS, REPRODUCED OR USED FOR ANY OTHER PURPOSE, WITHOUT THE WRITTEN PERMISSION OF DANIELS MANUFACTURING CORP. ON COMPLETION OF ORDER OR OTHER PURPOSE FOR WHICH INT.

DO NOT SCALE DRAWING

NOTE:
THIS DRAWING IS AN OUTLINE DRAWING OF THE RESPECTIVE DMC PART NUMBER AND PART NUMBER WITHOUT THE "DMC" SUFFIX.

WHERE USED: AFB

DMC DANIELS MANUFACTURING CORP.
ORLANDO, FLORIDA
CAGE 11851

TURRET HEAD ENVELOPE DRAWING

SCALE	SCALE	SCALE	SCALE
B	NTS	1/1	1/1

DMC NO. TH1845-ENV

SHEET 1 OF 1