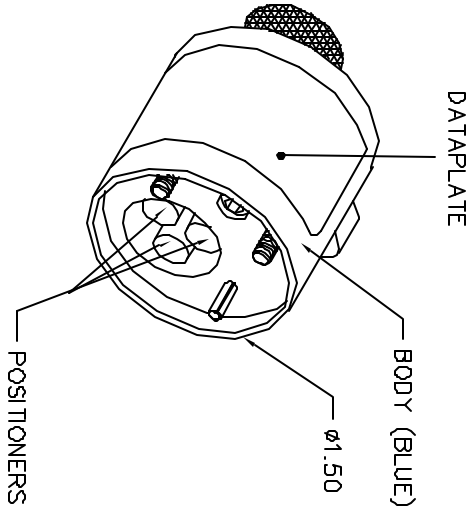


REVISIONS				
REV. SYM.	E.C.D. NUMBER	DESCRIPTION	BY DATE	APP'D DATE
2		.125 CHANGE WAS .154 DP.	MM RRR 7-22-93	RRR 7-22-93

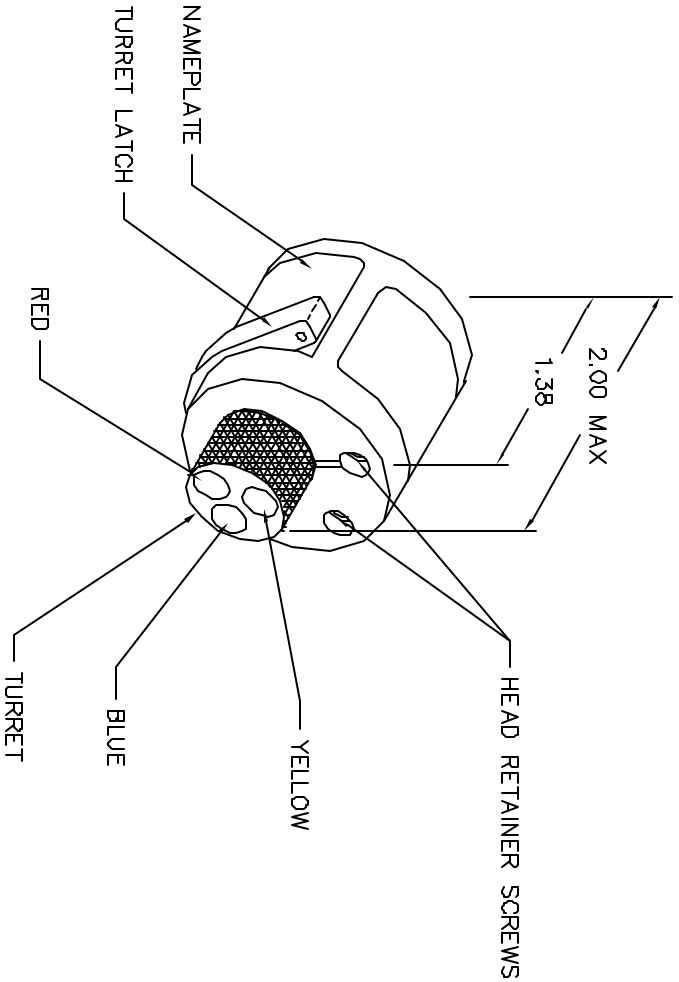
**UNCONTROLLED DOCUMENT
WILL NOT BE UPDATED**

DEUTSCH DS 800	COLOR CODE	26	24	22	20	18	16	14	12	WIRE SIZE
-20	RED	1	2	3	4					
-16	BLUE				4	5	6			
-12	YELLOW							7	8	
										SELECTOR NO.



POSITIONER COLOR	HOLE DIMENSIONS	ADDITIONAL FEATURES
RED	$\uparrow \phi .098$ $\uparrow .840$ MIN.	$\square \phi .125$ $\uparrow .140$
BLUE	$\uparrow \phi .130$ $\uparrow .840$ MIN.	$\square \phi .156$ $\uparrow .154$
YELLOW	$\uparrow \phi .191$ $\uparrow .840$ MIN.	$\square \phi .219$ $\uparrow .154$

(2)



RESTRICTED & CONFIDENTIAL			
<p>CONFIDENTIAL PROPERTY OF DANIELS MANUFACTURING CORP. NOT TO BE DISCLOSED TO OTHERS, REPRODUCED OR USED FOR ANY OTHER PURPOSE, EXCEPT AS AUTHORIZED IN WRITING BY DANIELS MANUFACTURING. MUST BE RETURNED TO DANIELS MANUFACTURING OR OTHER PURCHASER OR ORDER WHICH LEFT.</p>			
ITEM	PART NO.	QTY.	DESCRIPTION/REMARKS
DMC A. MOD-YELANG	DATE 7-22-93		
CH'D	RRR	DATE 7-22-93	
APFD	DATE		
APFD	DATE		
<p>TITLE: ENVELOPE DRAWING TURRET HEAD</p> <p>WHERE USED: AFS</p>			
SIZE B	SCALE NTS	CAD P/N TH1B-ENV	SHEET 1 OF 1
POSTING		P/N TH1B-ENV	REV. 2

DO NOT SCALE DRAWING