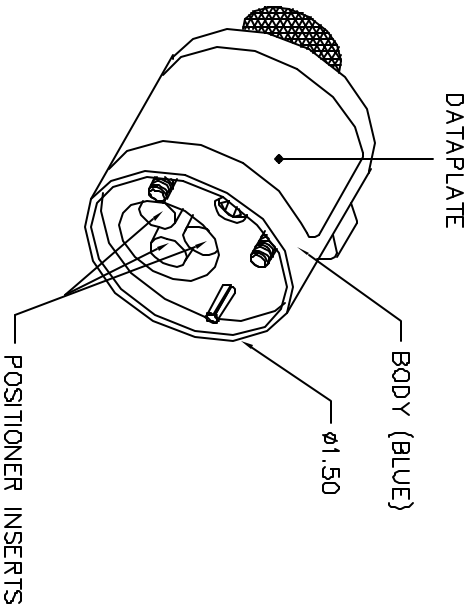


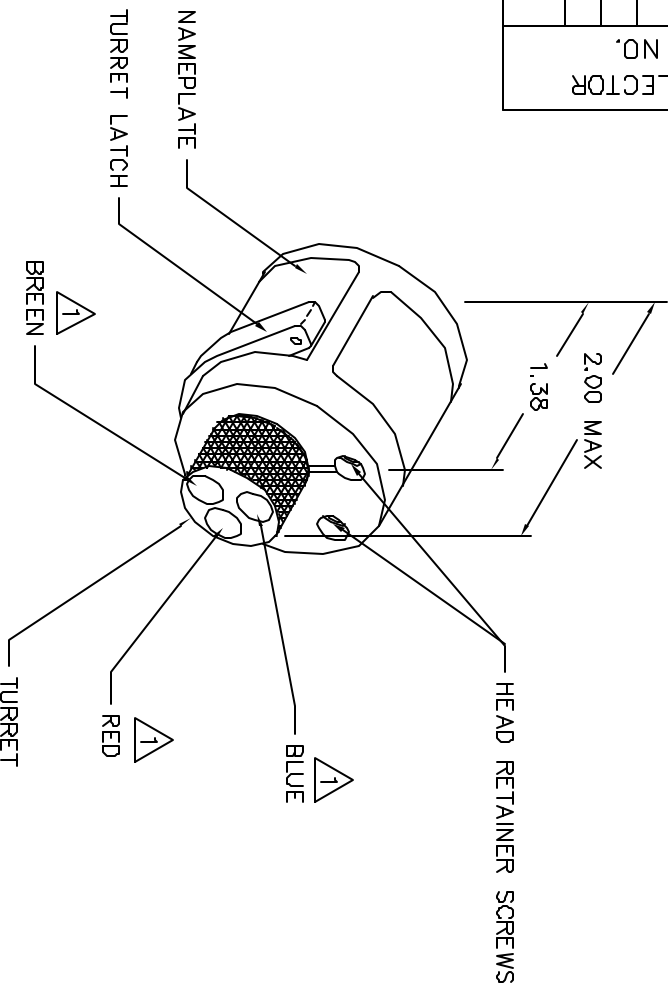
CONTACT	COLOR CODE	28	26	24	22	20	18	16	WIRE SIZE
AMP 42574-3 & 42575-3	RED	2	4	5	6	7			
1016, 1018				5	6	7			
MRAC	GREEN			2	4	5			
1020				4	5				
1022				4	5				
1024				4	5				
AMP 200679-1, 201328-1	BLUE			2	4	5			



POSITIONER COLOR	HOLE DIMENSIONS	ADDITIONAL FEATURES
GREEN	Ø.106 ±.492	└┘ Ø.136 ±.181
RED	Ø.078 ±.84 MIN.	└┘ Ø.125 ±.84
BLUE	Ø.078 ±.640	└┘ Ø.156 ±.514

HOLE AND COUNTERBORE DEPTHS ARE MEASURED FROM TOP OF POSITIONER INSERTS.

WIRE SIZE  
SELECTOR NO.



1 RANDOM ORDER OF ROTATION IS ACCEPTABLE.

REVISIONS			
REV. NO.	E.C.D. NUMBER	DESCRIPTION	BY DATE
1		ORIGINAL RELEASE	JML 08 1-18-08

**UNCONTROLLED DOCUMENT  
WILL NOT BE UPDATED**

RESTRICTED & CONFIDENTIAL		CONFIDENTIAL PROPERTY OF DANIELS MANUFACTURING CORP. NOT TO BE DISCLOSED TO OTHERS, REPRODUCED OR USED FOR ANY OTHER PURPOSE, WITHOUT THE WRITTEN PERMISSION OF DANIELS MANUFACTURING CORP. ON COMPLETION OF ORDER OR OTHER PURPOSE FOR WHICH INT.	
ITEM	PART NO.	QTY.	DESCRIPTION/REMARKS
DRAWN BY: J. JOYCE	DATE: 1/18/08		
CHKD BY: RRR	DATE: 1/18/08		
APPROVED BY: [Signature]	DATE: [Date]		
NOTE: THIS DRAWING IS AN OUTLINE DRAWING OF THE RESPECTIVE DMC PART NUMBER AND PART NUMBER WITHOUT THE "DMC" SUFFIX.		WHERE USED: AFB	CAD P/N: TH121-ENV
TITLE: TURRET HEAD ENVELOPE DRAWING		SCALE: B	SHEET 1 OF 1
DO NOT SCALE DRAWING		POSTING: NTS	REV. NO: TH121-ENV