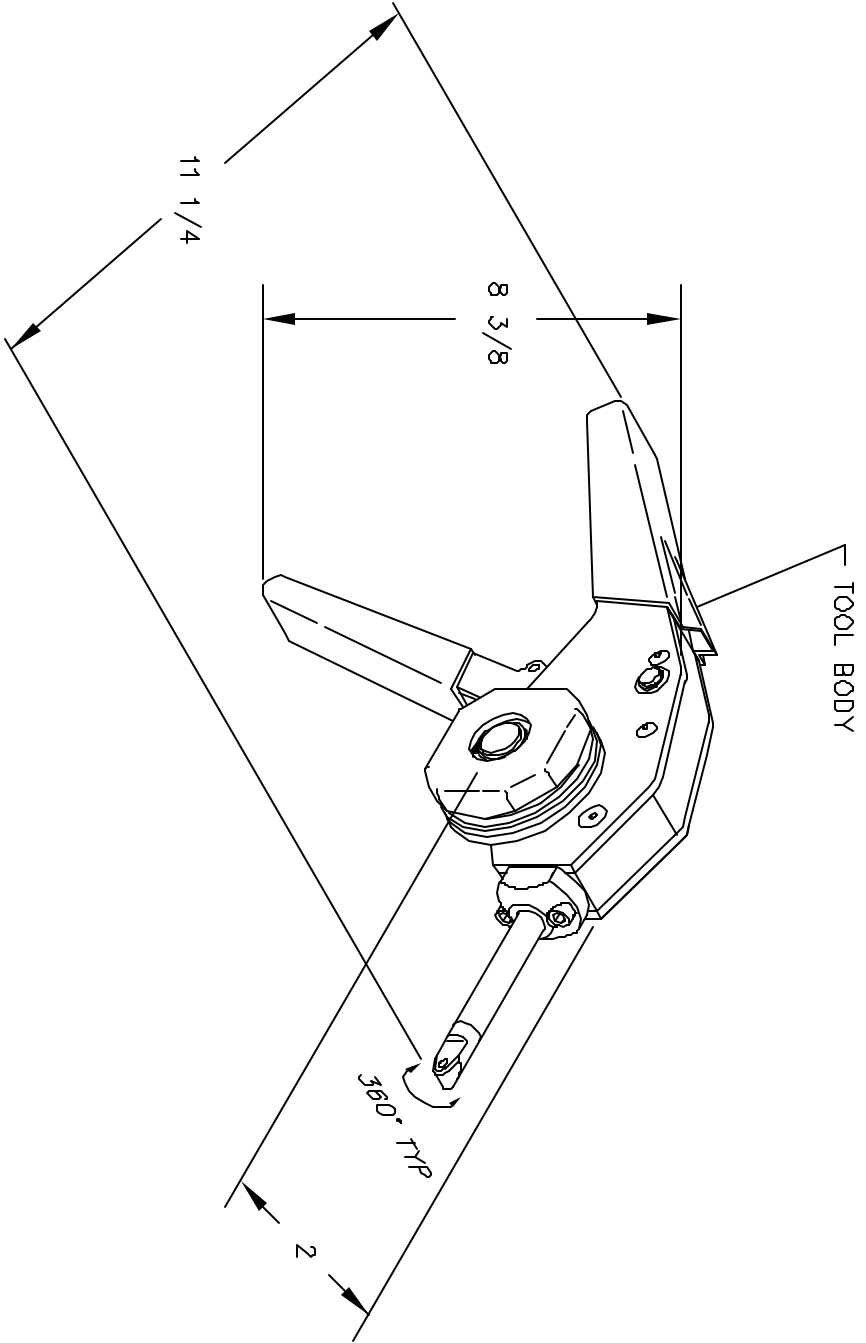


**UNCONTROLLED DOCUMENT
WILL NOT BE UPDATED**

REVISIONS				
REV. SYM.	E.C.D. NUMBER	DESCRIPTION	BY DATE	APP'D DATE
1		ORIGINAL RELEASE	JMU 6/15/99	RRR 6/16/99



RESTRICTED & CONFIDENTIAL
 CONFIDENTIAL PROPERTY OF DANIELS MANUFACTURING CORP. NOT TO BE DISCLOSED TO OTHERS, REPRODUCED OR USED FOR ANY OTHER PURPOSE, EXCEPT AS AUTHORIZED IN WRITING BY DANIELS MANUFACTURING, MANUFACTURING CORP. ON COMPLETION OF ORDER OR OTHER PURPOSE FOR WHICH LENT.

DO NOT SCALE DRAWING

MATERIAL		ITEM		PART NO.		QTY.		DESCRIPTION/REMARKS	
FINISH		DRN. J. JOYCE		DATE 6/16/99				DANIELS MANUFACTURING CORP. ORLANDO, FLORIDA CAGE 11851	
HEAT TREAT		CHKD. RRR		DATE 8/16/99				ADJUSTABLE SAFE-T-CABLE APPLICATION TOOL Ø.032 WITH 3" NOSE WHERE USED: ENVELOPE DRAWING	
		APPD.		DATE				TITLE	
		APPD.		DATE				WHERE USED: ENVELOPE DRAWING	
		SIZE A		SCALE NTS		CAD P/N SCTR323-ENV		SHEET 1 OF 1	
		POSTING		P/N		SCTR323-ENV		REV. 1	