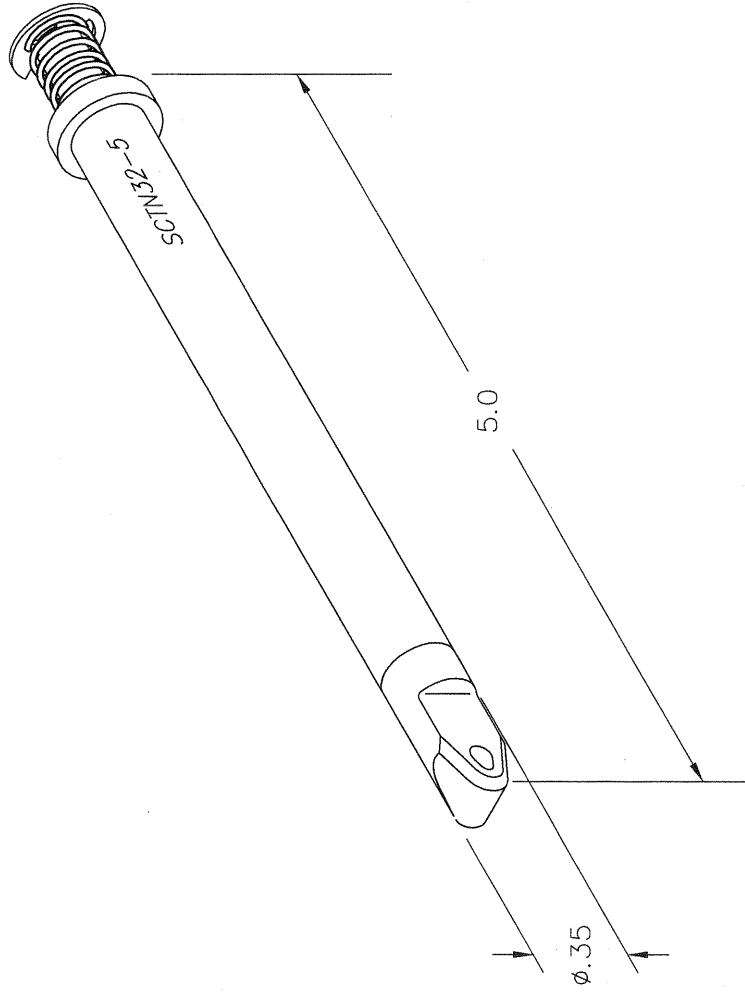


REVISIONS		
REV. STYL.	E.C.O. NUMBER	BY DATE
1		8/27/90

DESCRIPTION
ORIGINAL RELEASE



**UNCONTROLLED DOCUMENT
WILL NOT BE UPDATED**
DIMENSIONS IN INCHES - UNLESS OTHERWISE SPECIFIED

MATERIAL	ITEM	PART NO.	QTY.	DESCRIPTION/REMARKS
	214-0000	SCN32-5		DANIELS MANUFACTURING CORP. ORLANDO, FLORIDA CAGE 11851
				DMC
				TITLE NOSE ASSEMBLY 5" Ø.032 SAFE-T-CABLE ENVELOPE DRAWING
				WHERE USED: SIZE SCALE C NTS POSTING
				NOTE: THIS DRAWING IS AN OUTLINE DRAWING. THE ACTUAL PART INDICATED. ACTUAL DMC PART NUMBER WITH THE DRAWING NUMBER WITHOUT THE "-ENV" SUFFIX.
				REV. OF SCN32-5-ENV 1 1 DMC NO. SCN32-5-ENV 1 1 SCN32-5-ENV 1 1