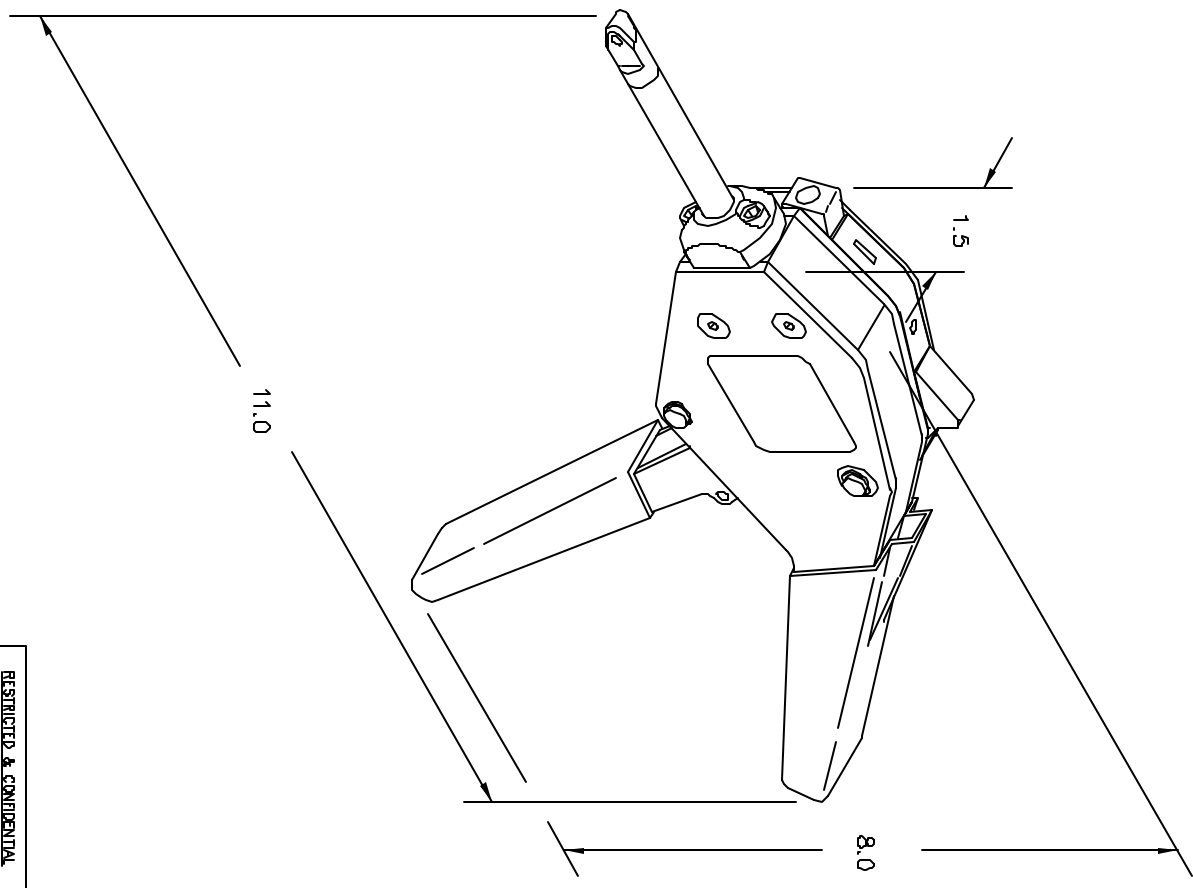


REV	DATE	DESCRIPTION	BY	APP'D
1	3/25/03	ORIGINAL RELEASE	3/25/03	3/25/03



UNCONTROLLED DOCUMENT
WILL NOT BE UPDATED

RESTRICTED & CONFIDENTIAL		ITEM		PART NO.		DESCRIPTION/REMARKS	
CONSTITUTIONAL PROPERTY OF DANIELS MANUFACTURING CORP. NOT TO BE REPRODUCED OR USED FOR ANY OTHER PURPOSES EXCEPT AS AUTHORIZED IN WRITING BY DANIELS MANUFACTURING CORP. ALL RIGHTS ARE RESERVED. THIS DRAWING IS THE PROPERTY OF DANIELS MANUFACTURING CORP. AND IS NOT TO BE REPRODUCED OR USED FOR ANY OTHER PURPOSES EXCEPT AS AUTHORIZED IN WRITING BY DANIELS MANUFACTURING CORP.		DATE	DATE	DATE	DATE	Daniel's Manufacturing Corp. DANIELS MANUFACTURING CORP. DANIELS, FLORIDA CASE 11851	
		APP'D.	APP'D.	DATE	DATE	TITLE	QTY.
MATERIAL HEAT TREAT FINISH		DATE	DATE	DATE	DATE	SAFE-T-CABLE APPLICATION TOOL, .040, 3" NOSE ENVELOPE DRAWING	1 1
DDG NDT SCALE DRAWING		DATE 3/25/03		DATE 3/25/03		DRAWING NO. SCT1403-ENV 1	