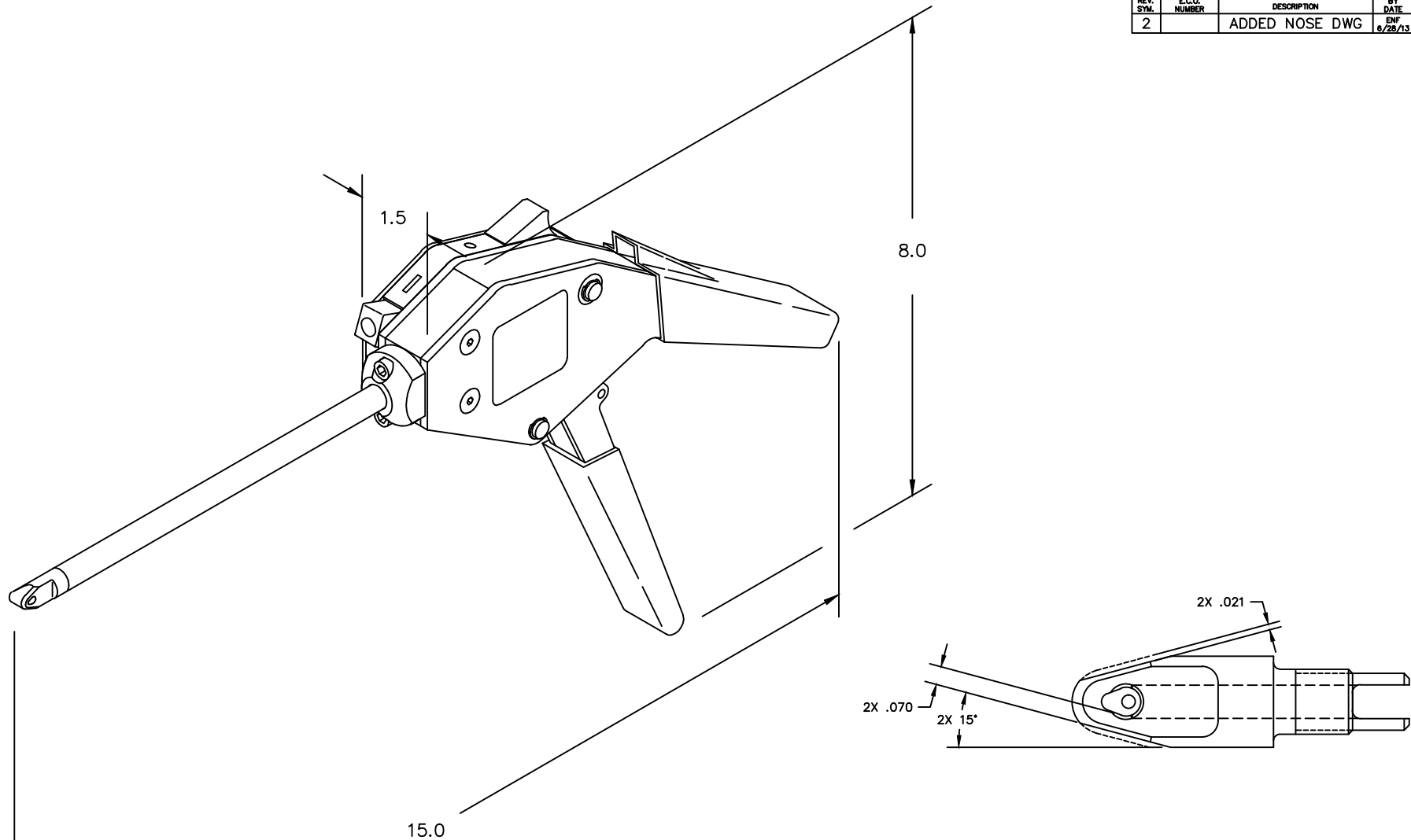


REVISIONS				
REV. SYM.	E.C.O. NUMBER	DESCRIPTION	BY DATE	APP'D DATE
2		ADDED NOSE DWG	ENF 6/28/13	RRR 6/28/13



UNCONTROLLED DOCUMENT
WILL NOT BE UPDATED

RESTRICTED & CONFIDENTIAL CONFIDENTIAL PROPERTY OF DANIELS MANUFACTURING CORP. NOT TO BE DISCLOSED TO OTHERS, REPRODUCED OR USED FOR ANY OTHER PURPOSE, EXCEPT AS AUTHORIZED IN WRITING BY DANIELS MANUFACTURING. MUST BE RETURNED TO DANIELS MANUFACTURING CORP. ON COMPLETION OF ORDER OR OTHER PURPOSE FOR WHICH LENT.	MATERIAL	ITEM	PART NO.	QTY.	DESCRIPTION/REMARKS
	HEAT TREAT	DRW.	J. JOYCE	DATE	4/22/02
		CHK'D.	RRR	DATE	4/22/02
	FINISH	APP'D.		DATE	
APP'D.			DATE		
DO NOT SCALE DRAWING	NOTE:		TITLE		
	THIS DRAWING IS AN OUTLINE DRAWING OF THE RESPECTIVE DMC PART NUMBER INDICATED. ACTUAL DMC PART NUMBER IS DRAWING NUMBER WITHOUT THE "-ENV" SUFFIX.		SAFE-T-CABLE APPLICATION TOOL, .032, 7" LOW PROFILE NOSE ENVELOPE DRAWING		
	WHERE USED:	SIZE	SCALE	CAD P/N	SHEET OF
		C	NTS	SCT327L-ENV	1 1
	POSTING		DMG. NO.	REV.	
			SCT327L-ENV	2	