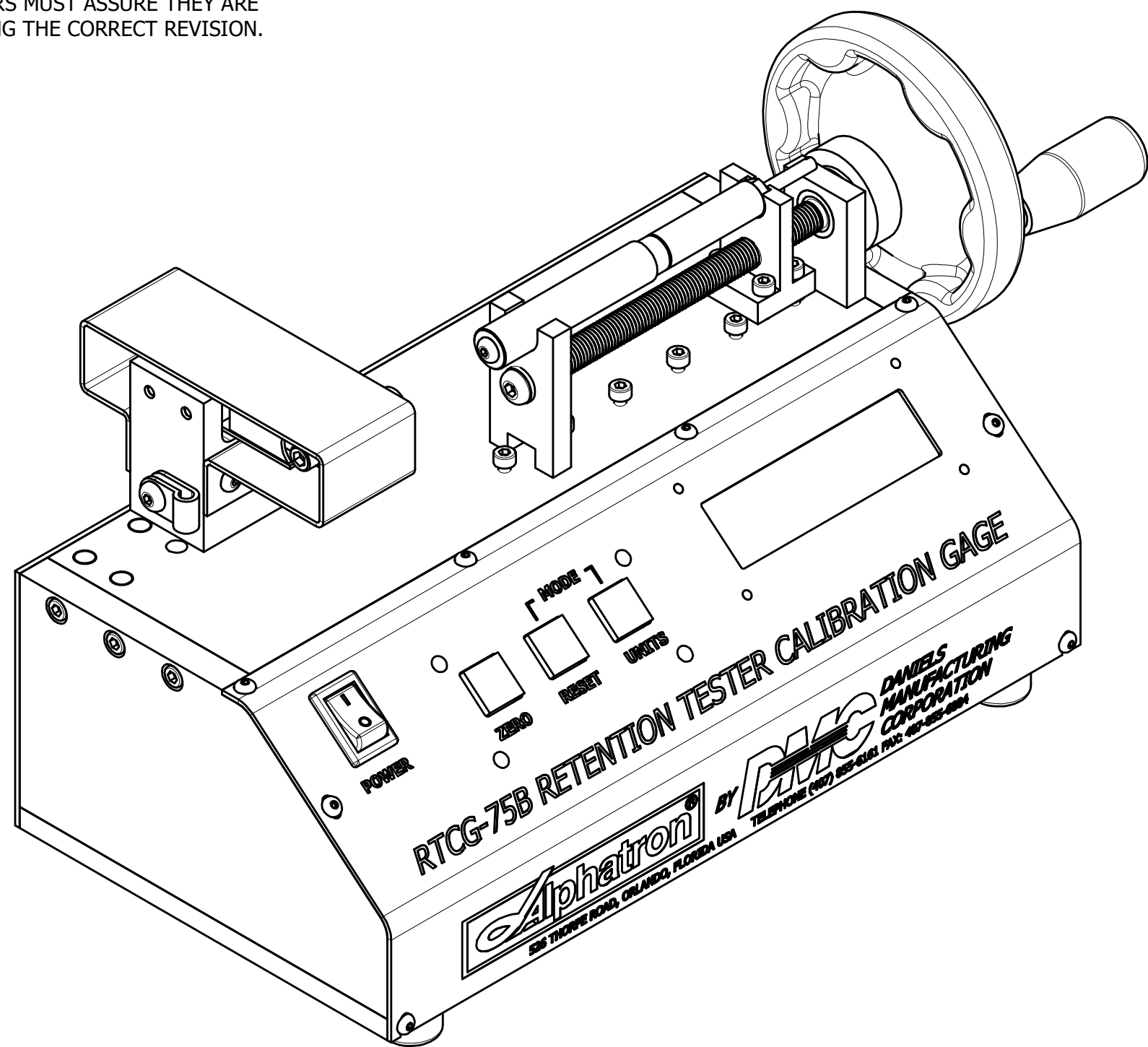
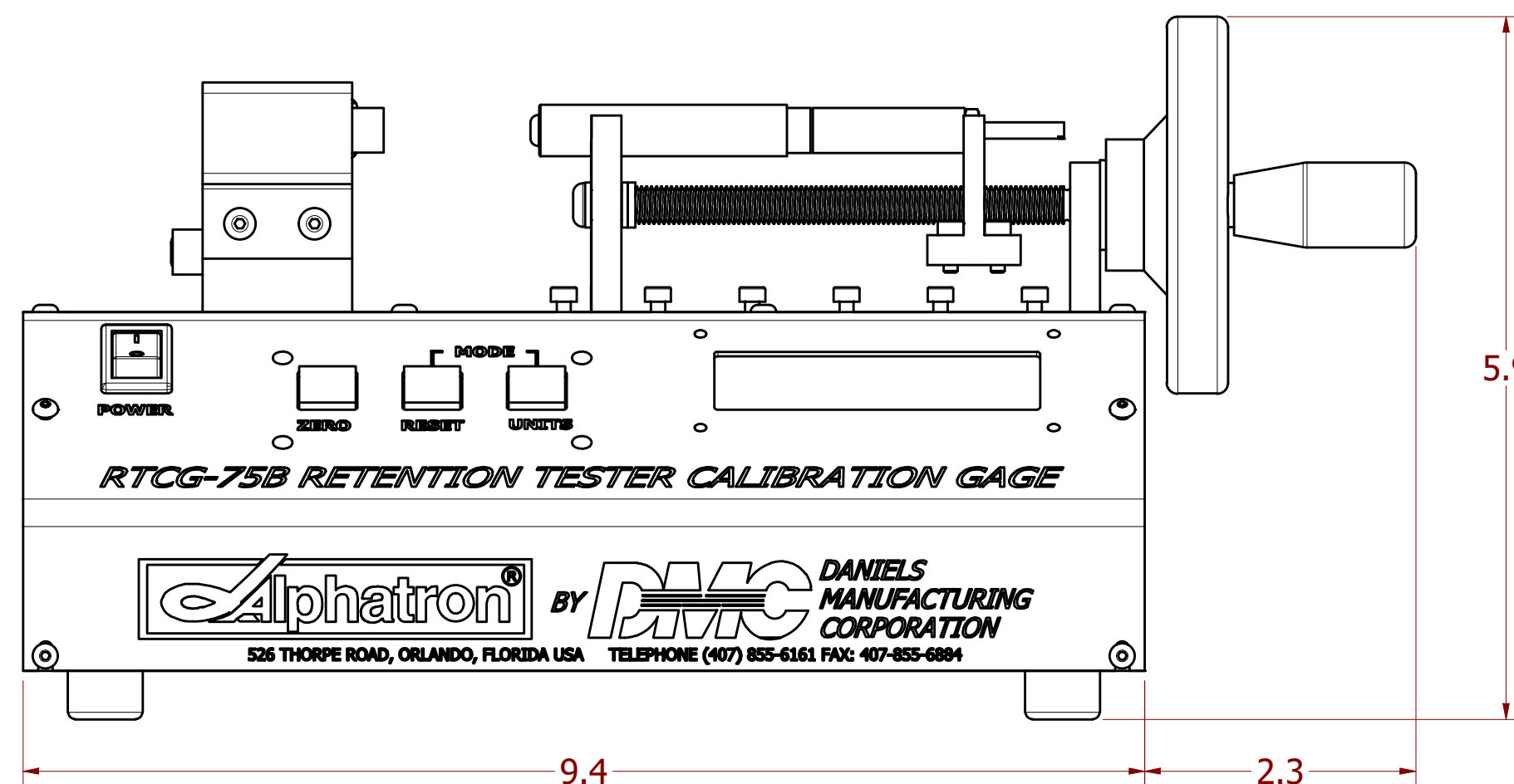
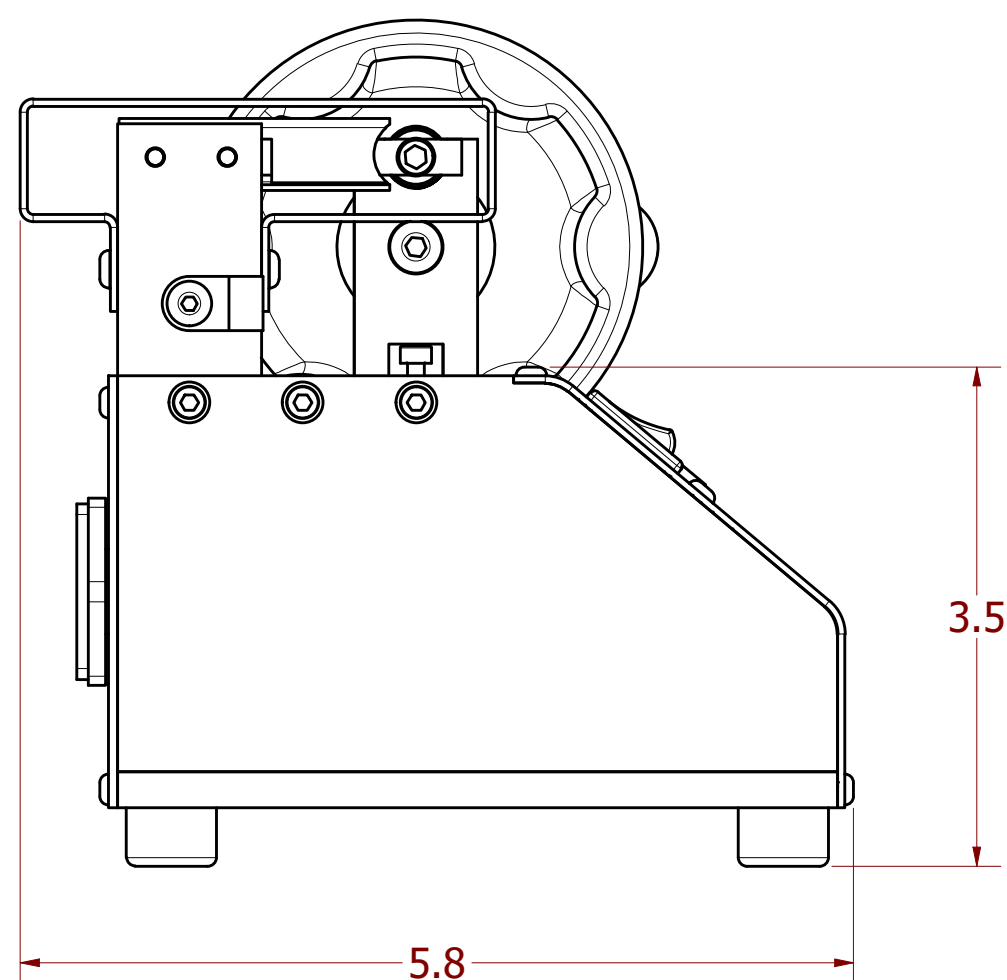


USERS MUST ASSURE THEY ARE USING THE CORRECT REVISION.

REVISIONS						
REV	ECO NO.	DESCRIPTION	BY	DATE	APP'D BY	DATE
1		ORIGINAL RELEASE	K. KOONS	9/29/2020		



- Compact / High Stability Design
- Easy Setup and Operation
- High Contrast LCD Display - Peak Hold or Continuous Force
- User Changeable Display Units - Pounds Force, Newtons or Kilograms Force
- Force Capacity - 75 lbf, 334 N, 34 Kgf
- Resolution - 0.1 lb, 0.1 N, 0.1 Kg
- Accuracy - $\pm 0.5\%$ of Full Scale
- Input Power - 100-240 VAC 50/60 Hz
- Weight - 5.26 lb



**UNCONTROLLED DOCUMENT
WILL NOT BE UPDATED**

DIMENSIONS IN INCHES - UNLESS OTHERWISE SPECIFIED

NOTES:

MATERIAL	ITEM	PART NO.	QTY.	DESCRIPTION / REMARKS
NA	DRN. KIRK C KOONS CHK'D. TD	DATE 9/18/2020 DATE 9/22/2020		DMC DANIELS MANUFACTURING CORP. ORLANDO, FLORIDA CAGE 11851
HEAT TREAT	NOTE: THIS DRAWING IS AN OUTLINE DRAWING OF THE RESPECTIVE DMC PART NUMBER INDICATED. ACTUAL DMC PART NUMBER IS CAD PART NUMBER WITHOUT THE "-ENV" SUFFIX	TITLE	RETENTION TESTER CALIBRATION GAGE ENVELOPE DRAWING	
FINISH	WHERE USED:	SIZE	SCALE	CAD P/N
		C	3/4	RTCG-75B-ENV
				DWG. NO. RTCG-75B
				SHEET 1 OF 1
				REV. 1

RESTRICTED & CONFIDENTIAL
CONFIDENTIAL PROPERTY OF DANIELS MANUFACTURING CORP. NOT TO BE DISCLOSED TO OTHERS. REPRODUCTION OR USED FOR ANY OTHER PURPOSE EXCEPT AS AUTHORIZED IN WRITING BY DANIELS MANUFACTURING. MUST BE RETURNED TO DANIELS MANUFACTURING CORP. ON COMPLETION OF ORDER OR PURPOSES FOR WHICH LENT.
CREATED FROM AN INVENTOR MODEL.
CHANGES MUST BE REFLECTED IN THE 3D PART
DO NOT SCALE DRAWING