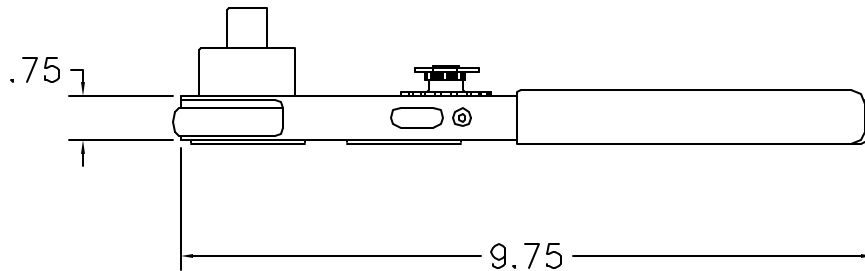
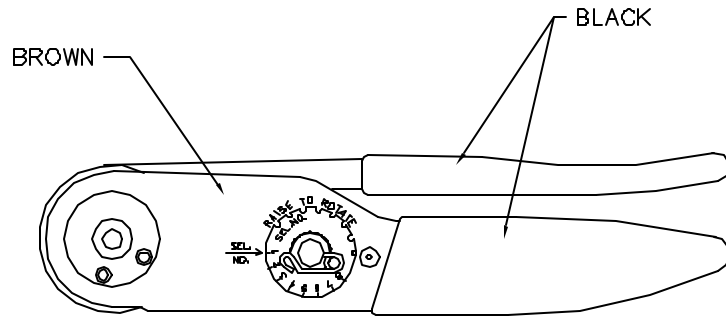


REVISIONS				
REV. SYM.	E.C.O. NUMBER	DESCRIPTION	BY DATE	APP'D DATE
1		ORIGINAL RELEASE	TS 6-17-88	DH 6-17-88



GAGING LIMITS OF INDENTERS

SELECTOR NUMBER	GAGE-INSPECTION	
	±.0001 GO DIA	±.0001 NO GO DIA
1	.0450	.0500
2	.0520	.0570
3	.0610	.0660
4	.0700	.0800
5	.0800	.0900
6	.0920	.1020
7	.1000	.1100
8	.1080	.1180


USE GAGE P/N G436 AT  
SELECTOR NUMBER 3.

**UNCONTROLLED DOCUMENT  
WILL NOT BE UPDATED**

**RESTRICTED & CONFIDENTIAL**

CONFIDENTIAL PROPERTY OF DANIELS MANUFACTURING CORP. NOT TO BE DISCLOSED TO OTHERS, REPRODUCED OR USED FOR ANY OTHER PURPOSE, EXCEPT AS AUTHORIZED IN WRITING BY DANIELS MANUFACTURING. MUST BE RETURNED TO DANIELS MANUFACTURING CORP. ON COMPLETION OF ORDER OR OTHER PURPOSE FOR WHICH LENT.

DO NOT SCALE DRAWING

ITEM	PART NO.	QTY.	DESCRIPTION/REMARKS
DRWL	TS	DATE 8-17-88	 DANIELS MANUFACTURING CORP. ORLANDO, FLORIDA GAGE 11851  TITLE <b>ENVELOPE DRAWING CRIMP TOOL</b>  WHERE USED: SIZE B SCALE NTS CAD P/N M317-ENV SHEET 1 OF 1 PDSTING P/N M317-ENV REV. 1
CHK'D.	DH	DATE 8-17-88	
APP'D.	AAM	DATE 8-17-88	
APP'D.		DATE	