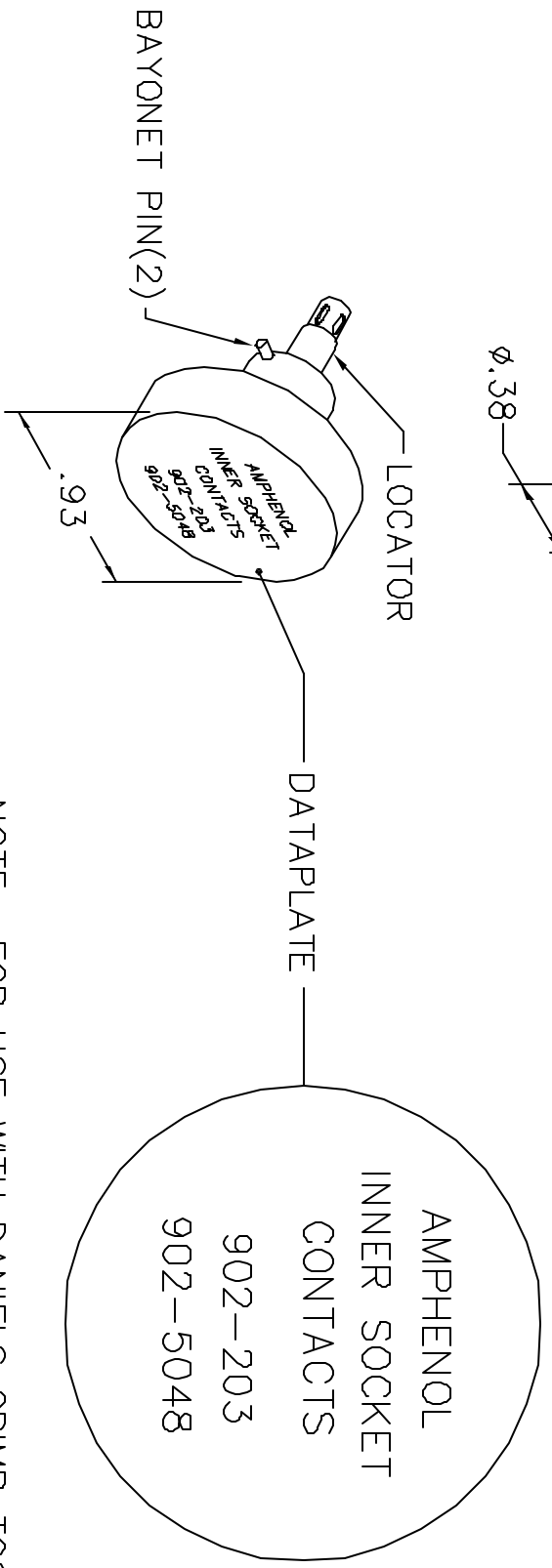
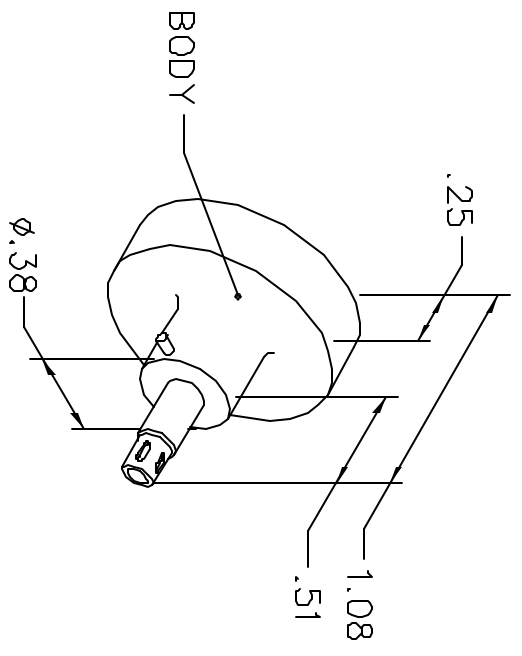


| REVISIONS |               |                  |             |             |
|-----------|---------------|------------------|-------------|-------------|
| REV. SYM. | E.C.D. NUMBER | DESCRIPTION      | BY DATE     | APP'D DATE  |
| 1         |               | ORIGINAL RELEASE | AAM 6-25-99 | RRR 6-25-99 |

**UNCONTROLLED DOCUMENT  
WILL NOT BE UPDATED**



NOTE: FOR USE WITH DANIELS CRIMP TOOLS  
ACCOMMODATING "K" SERIES POSITIONERS

| LOCATOR                      |   |
|------------------------------|---|
| HOLE DIMENSIONS              | ADDITIONAL FEATURES   |
| $\phi .036$<br>$\nabla .322$ | <input type="checkbox"/> $\phi .046$<br><input type="checkbox"/> $\nabla .16$<br><input type="checkbox"/> $\phi .086$<br><input type="checkbox"/> $\nabla .085$ |

|   |  |
|---|--|
| <b>RESTRICTED &amp; CONFIDENTIAL</b>  |  |
| CONFIDENTIAL PROPERTY OF DANIELS MANUFACTURING CORP. NOT TO BE DISCLOSED TO OTHERS, REPRODUCED OR USED FOR ANY OTHER PURPOSE, EXCEPT AS AUTHORIZED IN WRITING BY DANIELS MANUFACTURING. MUST BE RETURNED TO DANIELS MANUFACTURING CORP. ON COMPLETION OF ORDER OR OTHER PURPOSE FOR WHICH LENT. |  |
| DRN. A. MOO-YOUNG<br>CHK'D. RRR<br>APP'D. _____<br>DATE 6-25-99   | DATE 6-25-99<br>DATE _____<br>DATE _____                       |
| <b>DANIELS MANUFACTURING CORP.</b><br>ORLANDO, FLORIDA<br>CAGE 11851  |  |
| TITLE: ENVELOPE DRAWING POSITIONER  |  |
| WHERE USED: AFMB<br>SIZE SCALE: A NTS<br>POSTING: _____   | CAD P/N: K878S-ENV<br>SHEET 1 OF 1<br>P/N: K878S-ENV<br>REV. 1 |
| DO NOT SCALE DRAWING  |  |