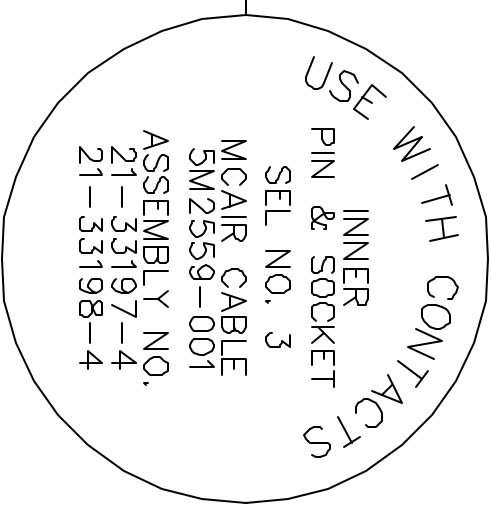
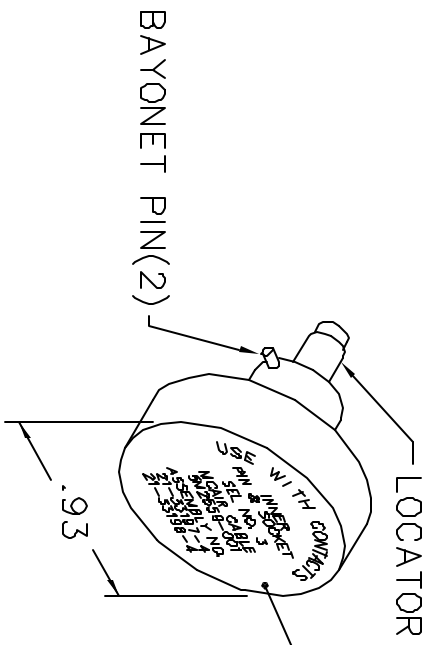
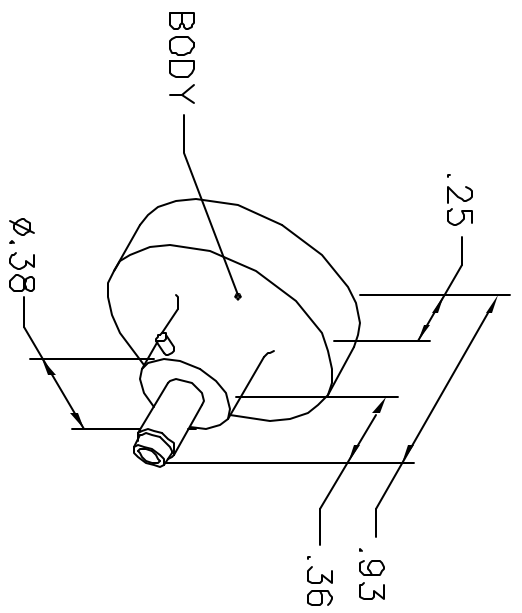


REVISIONS				
REV. SYM.	E.C.D. NUMBER	DESCRIPTION	BY DATE DATE	APP'D DATE
1		ORIGINAL RELEASE	AMM 9-1-00	RRR 9-1-00

**UNCONTROLLED DOCUMENT
WILL NOT BE UPDATED**



NOTE: FOR USE WITH DANIELS CRIMP TOOLS
ACCOMMODATING "K" SERIES POSITIONERS

LOCATOR	
HOLE DIMENSIONS	ADDITIONAL FEATURES
Ø.041 ±.58 MIN.	┌┐ Ø.054 ±.040

RESTRICTED & CONFIDENTIAL

CONFIDENTIAL PROPERTY OF DANIELS MANUFACTURING CORP. NOT TO BE DISCLOSED TO OTHERS, REPRODUCED OR USED FOR ANY OTHER PURPOSE, EXCEPT AS AUTHORIZED IN WRITING BY DANIELS MANUFACTURING. MUST BE RETURNED TO DANIELS MANUFACTURING CORP. ON COMPLETION OF ORDER OR OTHER PURPOSE FOR WHICH LENT.

DO NOT SCALE DRAWING

DRN. A. MOO-YOUNG	DATE 9-1-00	DANIELS MANUFACTURING CORP. ORLANDO, FLORIDA CAGE 11851			
CHKD. RRR	DATE 9-1-00				
APP'D.	DATE	TITLE ENVELOPE DRAWING POSITIONER			
APP'D.	DATE				
NOTE: THIS DRAWING IS AN OUTLINE DRAWING OF THE RESPECTIVE DMG PART NUMBER INDICATED. ACTUAL DMG PART NUMBER IS DRAWING NUMBER WITHOUT THE "-ENV" SUFFIX.		WHERE USED: AMMB	CAD P/N	SHEET	OF
DO NOT SCALE DRAWING		A	K873-ENV	1	1
		POSTING	DWG. NO. K873-ENV	REV.	1