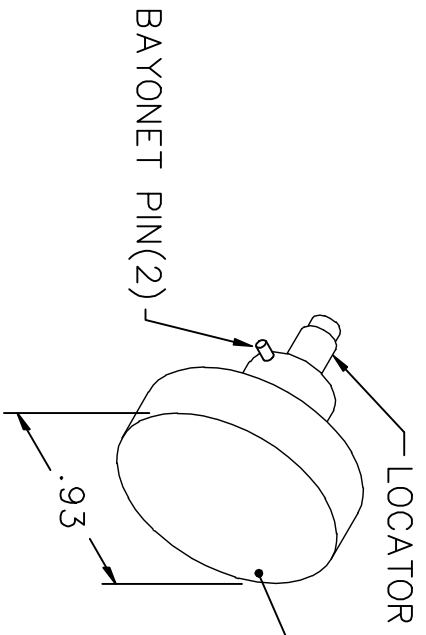
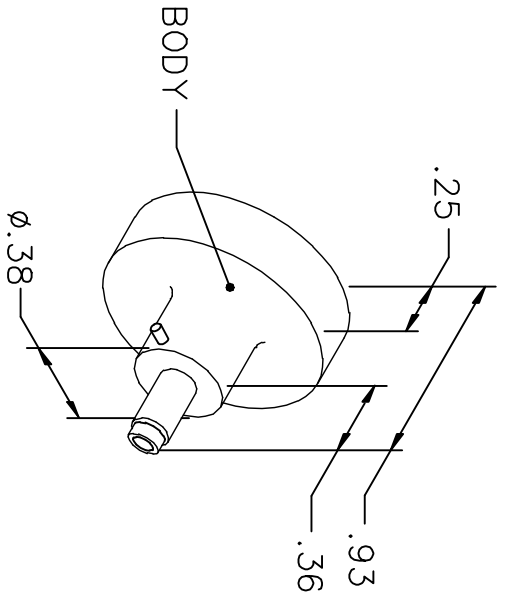


REVISIONS				
REV. SYM.	E.C.O. NUMBER	DESCRIPTION	BY DATE	APP'D DATE
1		ORIGINAL RELEASE	TD 11-5-09	

**UNCONTROLLED DOCUMENT  
WILL NOT BE UPDATED**



USE WITH CONTACTS			
WIRE	22	24	26
SEL.	4	3	3
ASNE0170FA2200			

NOTE: FOR USE WITH DANIELS CRIMP TOOLS  
ACCOMMODATING "K" SERIES POSITIONERS

LOCATOR	ADDITIONAL FEATURES
HOLE DIMENSIONS	
∅.039 THRU	<input type="checkbox"/> ∅.059 <input type="checkbox"/> ∅.080 <input type="checkbox"/> ∅.275 <input type="checkbox"/> ∅.157

**RESTRICTED & CONFIDENTIAL**

CONFIDENTIAL PROPERTY OF DANIELS MANUFACTURING CORP. NOT TO BE DISCLOSED TO OTHERS, REPRODUCED OR USED FOR ANY OTHER PURPOSE, EXCEPT AS AUTHORIZED IN WRITING BY DANIELS MANUFACTURING. MUST BE RETURNED TO DANIELS MANUFACTURING CORP. ON COMPLETION OF ORDER OR OTHER PURPOSE FOR WHICH LENT.

DO NOT SCALE DRAWING

DRN. <i>Jenny Bidworth</i>	DATE 11-5-09	TITLE	
CHK'D.	DATE	ENVELOPE DRAWING POSITIONER	
APP'D.	DATE	WHERE USED:	
APP'D.	DATE	SIZE A	SCALE NTS
NOTE: THIS DRAWING IS AN OUTLINE DRAWING OF THE RESPECTIVE DMG PART NUMBER INDICATED. ACTUAL DMG PART NUMBER IS DRAWING NUMBER WITHOUT THE "-ENV" SUFFIX.		CAD P/N	SHEET 1 OF 1
		K862-1-ENV	REV. 1
		P/N	REV. 1
		K862-1-ENV	REV. 1



DANIELS MANUFACTURING CORP.  
ORLANDO, FLORIDA  
CASE 11851