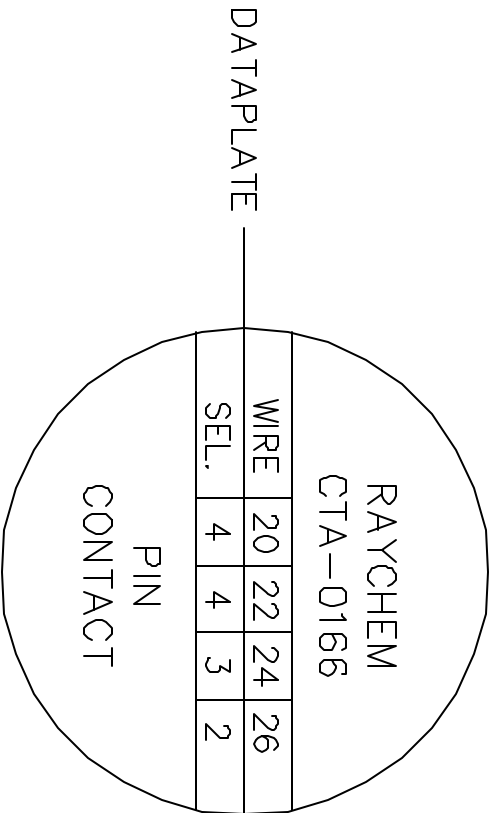
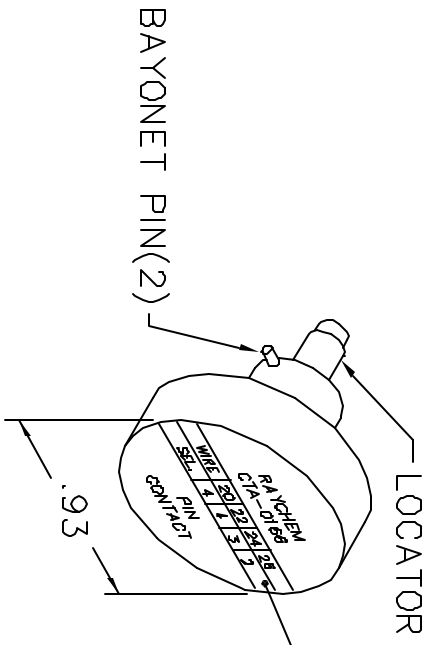
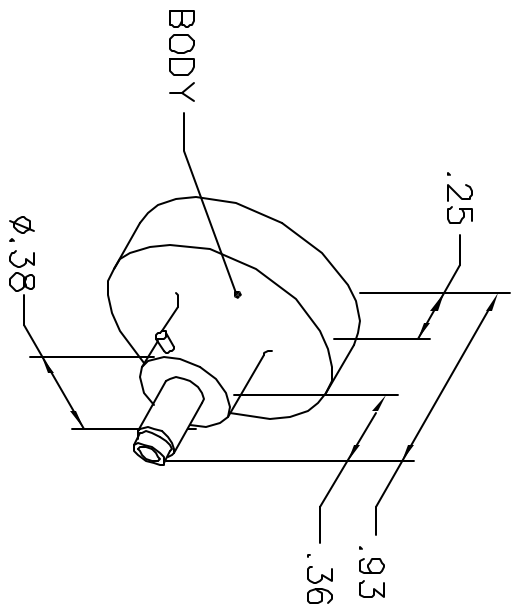


REVISIONS				
REV. SYM.	E.C.O. NUMBER	DESCRIPTION	BY DATE	APP'D DATE
1		ORIGINAL RELEASE	6-6-00 AAM	6-8-00 RRR

**UNCONTROLLED DOCUMENT
WILL NOT BE UPDATED**



NOTE: FOR USE WITH DANIELS CRIMP TOOLS
ACCOMMODATING "K" SERIES POSITIONERS

LOCATOR	ADDITIONAL FEATURES
HOLE DIMENSIONS	ADDITIONAL FEATURES
∅.052 ∇.359	┌┐∅.081 ∇.139

RESTRICTED & CONFIDENTIAL

CONFIDENTIAL PROPERTY OF DANIELS
MANUFACTURING CORP. NOT TO BE
DISCLOSED TO OTHERS, REPRODUCED
OR USED FOR ANY OTHER PURPOSE,
EXCEPT AS AUTHORIZED IN WRITING
BY DANIELS MANUFACTURING.
MUST BE RETURNED TO DANIELS
MANUFACTURING CORP. ON COMPLETION
OF ORDER OR OTHER PURPOSE FOR
WHICH LENT.

DO NOT SCALE DRAWING

DRN. A. MOO-YOUNG	DATE 6-6-00	DMC DANIELS MANUFACTURING CORP. ORLANDO, FLORIDA CAGE 11851	TITLE ENVELOPE DRAWING POSITIONER
CHK'D. RRR	DATE 6-6-00		
APP'D. DATE	DATE		
NOTE: THIS DRAWING IS AN OUTLINE DRAWING OF THE RESPECTIVE DMC PART NUMBER INDICATED. ACTUAL DMC PART NUMBER IS DRAWING NUMBER WITHOUT THE "-ENV" SUFFIX.		WHERE USED: AFMB	
SIZE A	SCALE NTS	CAD P/N K817-1-ENV	SHEET 1 OF 1
POSTING		DWG. NO. K817-1-ENV	REV. 1